

Technical information

Installation Documentation Additional kit Hyundai ix35 petrol Euro 5 / P0116

Foreword

This Technical Information applies to the Hyundai ix35 petrol Euro 5 vehicles - for validity, see below - starting with model year 2012 - and later with installed Webasto parking heater, assuming technical modifications to the vehicle do not affect installation, any liability claims excluded. Depending on the vehicle version and equipment, modifications may be necessary during installation with respect to this "Technical Information".

Validity

Manufacturer	Model	Type	EG-BE No. / ABE
Hyundai	ix35	EL	e11 * 2007 / 46 * 0192 * ...
Engine type	Fuel	Output in kW	Displacement in cm ³
G4FD	Petrol	99	1591
G4KD	Petrol	120	1998

Vehicle and engine types, equipment variants and national specifications not listed in this installation documentation have not been tested. However, installation according to this installation documentation may be possible.

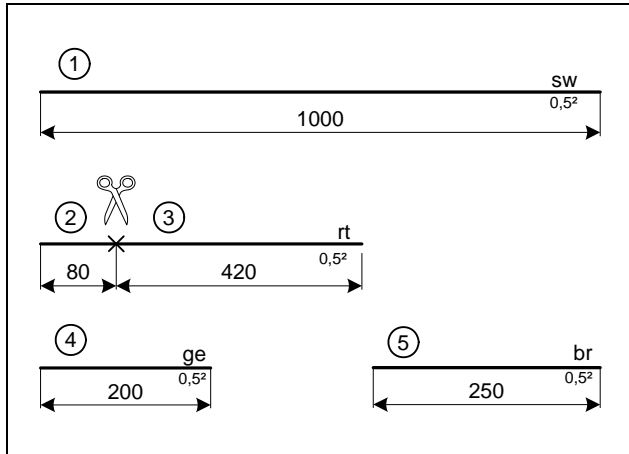
Euro 5 Additional Kit

Quantity	Designation	Order No.:
1	Additional kit Hyundai ix35 petrol Euro 5 / P0116	1320376A

The corresponding rules of technology and any information from the vehicle manufacturer should be observed during the installation work.

General Instructions

Installation should be carried out according to the general, standard rules of technology. Unless specified otherwise, fasten wires, lines and wiring harnesses to original vehicle lines and wiring harnesses using cable ties. Insulate loose wire ends and tie back. Connectors of electronic components have to audibly snap into place when inserting them during installation.



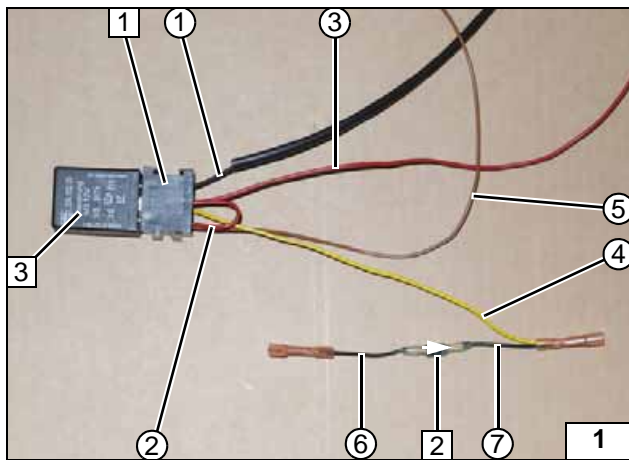
Preparing Electrical System

Wire sections retain their numbering in the entire document.

Install wire section 1 in provided protective sleeving.



Cutting wires to length

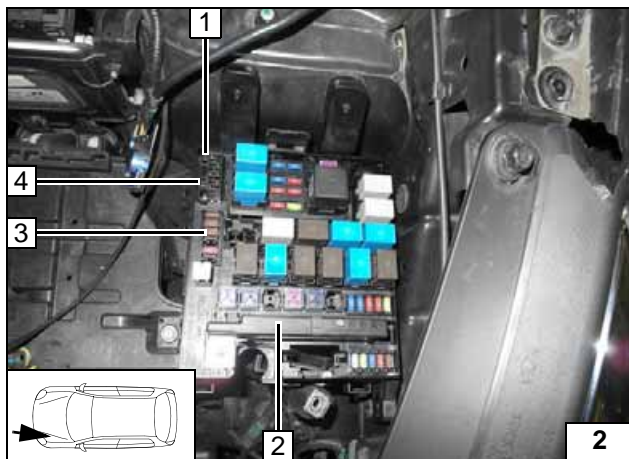


Connect wires to the time-delay relay socket 1 in accordance with the wiring diagram. Connect diode D1 2, mind direction of flow. Install time-delay relay 3.



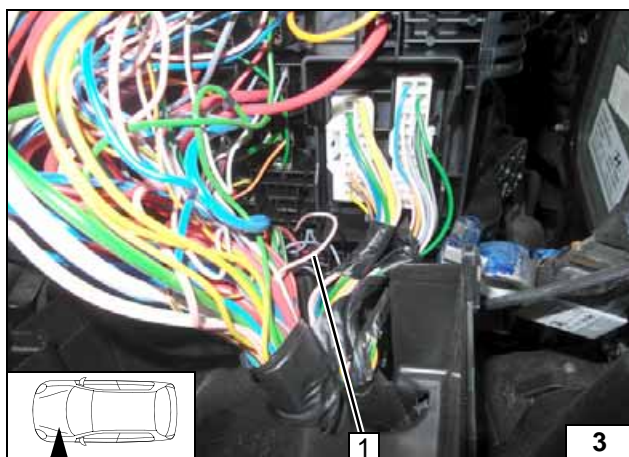
- ① Black (sw) wire of ZR/15
- ② Red (rt) wire of ZR/30 - ZR/87z
- ③ Red (rt) wire of ZR/87z
- ④ Yellow (ge) wire of ZR/87
- ⑤ Brown (br) wire of ZR/31
- ⑥ Black (sw) wire of diode (premounted)
- ⑦ Black (sw) wire of diode (premounted)

Preparing wiring harness



- 1 Diagnosis connector socket, terminal 31
- 2 Fuse and relay box
- 3 Socket of 7.5A fuse F4
- 4 Diagnosis connector socket, terminal 30

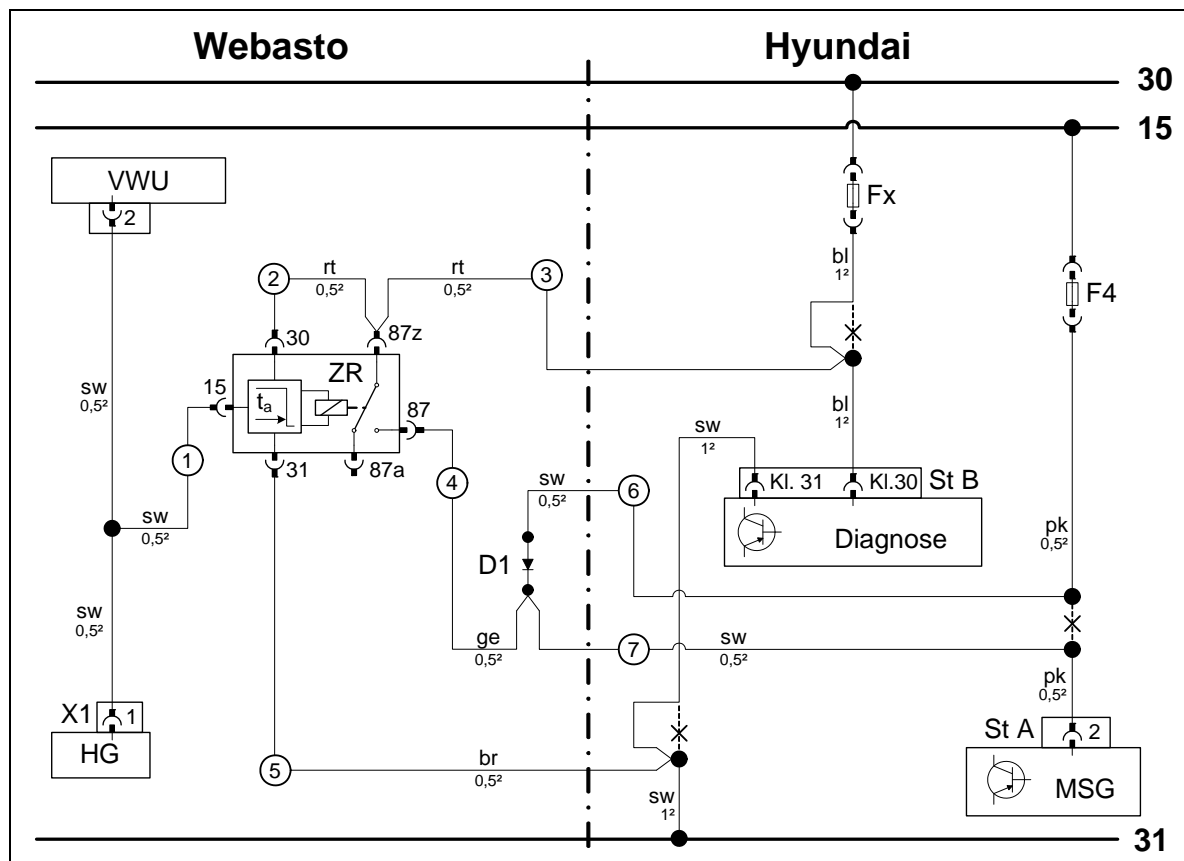
Opening fuse and relay box



- 1 Pink (pk) wire of fuse F4 - 94 pin connector of engine control unit

Disconnecting pink (pk) wire

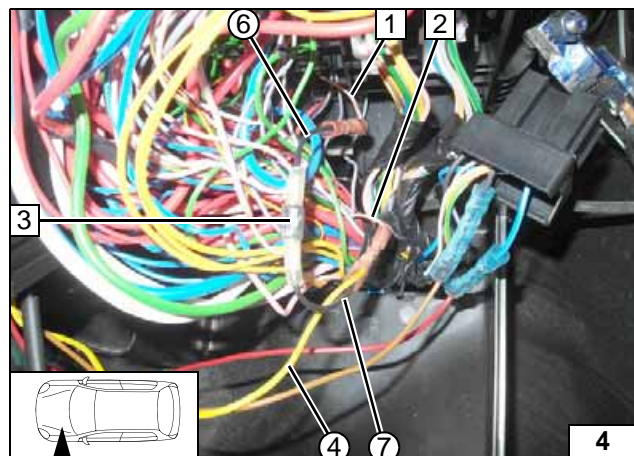
Wiring diagram of Euro 5 additional kit



Wiring diagram

Webasto components		Vehicle components		Colours and symbols	
VWU	Digital timer	Fx	Fuse	rt	red
ZR	Time-delay relay	F4	7.5A fuse	sw	black
D1	3A diode	St B	Diagnosis connector	ge	yellow
HG	Heater TT-C/E	St A	94-pin connector of MSG	bl	blue
X1	6-pin heater connector	MSG	Engine control unit	pk	pink
				br	brown
				X	Cutting point
				Wiring colours may vary.	

Legend



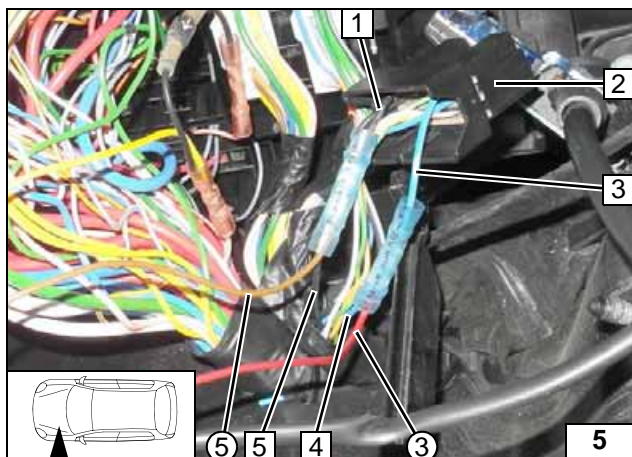
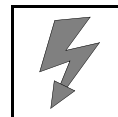
Activation of Euro 5 additional kit

Mind the diode's direction of flow!

- 1 Pink (pk) wire of fuse F4
- 2 Pink (pk) wire of 94-pin connector MSG Pin 2
- 3 Diode D1
- 4 Yellow (ge) wire of ZR/87 - Diode D1
- 6 Black (sw) wire of diode (anode)
- 7 Black (sw) wire of diode (cathode)

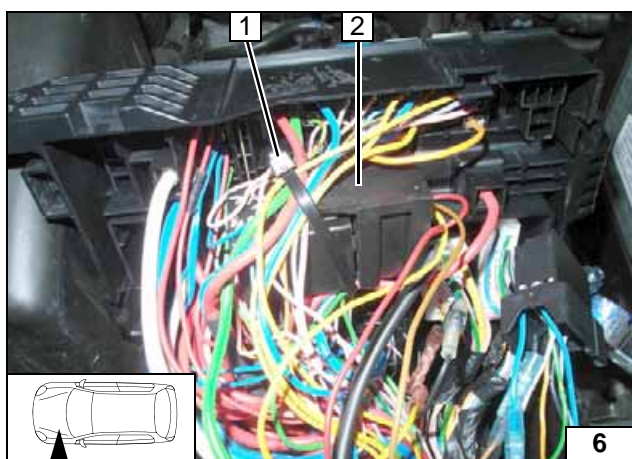


Connection of diode D1



- 1 Black (sw) wire of diagnosis connector, terminal 31
- 2 Diagnosis connector
- 3 Blue (bl) wire of diagnosis connector, terminal 30
- 4 Blue (bl) wire of fuse Fx
- 5 Black (sw) wire of terminal 31
- ③ Red (rt) wire of ZR/87z
- ⑤ Brown (br) wire of ZR/31

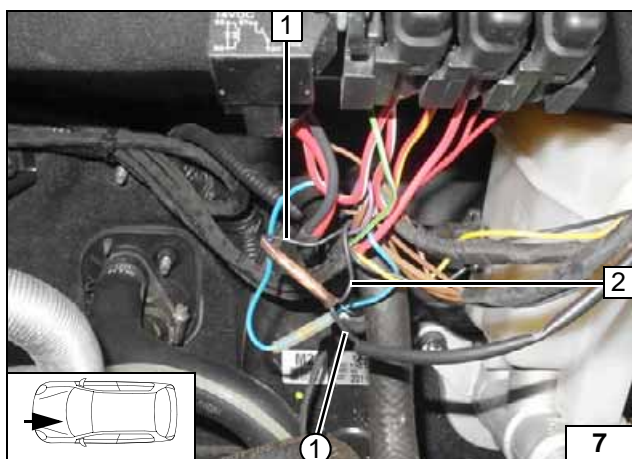
Connection of time-delay relay



Fasten time-delay relay and socket 2 to original vehicle lines using cable tie 1. Close fuse and relay box.



Attaching wiring harness



Separate black (sw) power line from heater control to heater at the fuse holder, measure if necessary.



- 1 Black (sw) wire of heater X1/1
- 2 Black (sw) wire of digital timer, pin 2
- ① Thread in black (sw) wire of ZR/15

Connecting heater

Final Work

WARNING!

Reassemble the components in reverse order. Check all electrical connections for firm seating. Insulate and tie back all loose lines.



Webasto Thermo & Comfort SE
 Postfach 1410
 82199 Gilching
 Germany
 Internet: www.webasto.com
 Technical Extranet:
<http://dealers.webasto.com>