

# Water Heater

**Thermo Top Evo Parking Heater**



## Short Installation Documentation

### Ford Mondeo

### "Comfort" Fan Controller

#### Validity

| Manufacturer | Model  | Type       | EG-BE-No. / ABE               |
|--------------|--------|------------|-------------------------------|
| Ford         | Mondeo | CD 4 / BA7 | e13 * 2001 / 116 * 0249 * ... |

| Motorisation | Fuel   | Transmission type | Output in kW | Displacement in cm <sup>3</sup> | Engine code            |
|--------------|--------|-------------------|--------------|---------------------------------|------------------------|
| 2.0 TDCi     | Diesel | AG                | 110          | 1997                            | T7CE                   |
| 2.0 TDCi     | Diesel | AG                | 132          | 1997                            | T8CC                   |
| 1.5 EcoBoost | Petrol | AG                | 118          | 1499                            | UNCA/ UNCB/ UNCE/ UNCF |
| 2.0 EcoBoost | Petrol | AG                | 176          | 1997                            | R9CB/ R9CF/ R9CH       |

AG = automatic transmission

**from model year 2015**

**Left-hand drive vehicle**

**Verified equipment variants:** Automatic air-conditioning

**Not verified:** Passenger compartment monitoring

# Ford Mondeo

## Table of Contents

|                               |   |  |    |
|-------------------------------|---|--|----|
| Validity                      | 1 | Preparing Electrical System                    | 4  |
| Necessary Components          | 2 | Fan Controller for Automatic Air-Conditioning  | 6  |
| Installation Overview         | 2 | A/C Control Panel Installation Instructions    | 7  |
| Information on Validity       | 2 | Fan Controller                                 | 8  |
| Technical Information         | 2 | "Comfort" Automatic A/C Operating Instructions | 11 |
| Explanatory Notes on Document | 3 |  |    |
| Preliminary Work              | 3 |  |    |

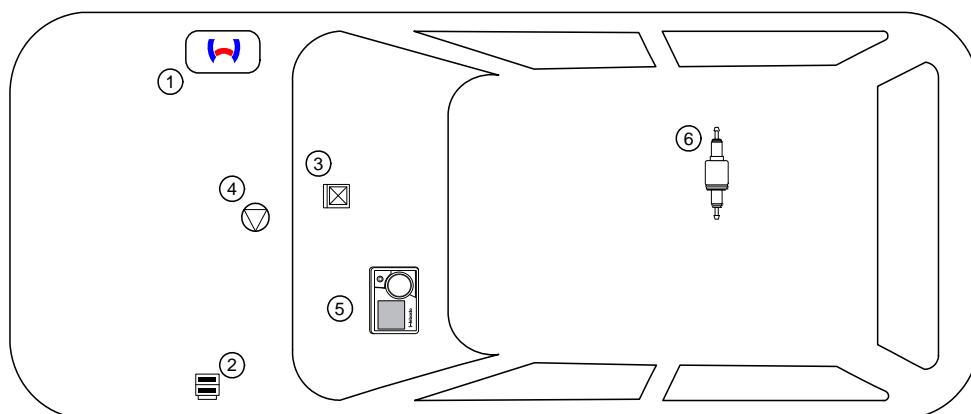
## Necessary Components

- Additional kit for Fan Controller Ford Mondeo CCL Comfort: **1324050A**

## Installation Overview

### Legend:

1. Heater
2. Fuse holder of engine compartment
3. CCL Gateway
4. Circulating pump
5. MultiControl CAR
6. Metering pump



## Information on Validity

This installation documentation applies to:

- Ford Mondeo Petrol and diesel vehicles with installation kit **1323974A** and installation documentation **1323975A**

For the validity, see page 1 - from model year 2015 and later, assuming technical modifications to the vehicle do not affect installation, any liability claims excluded. Depending on the vehicle version and equipment, modifications may be necessary during installation with respect to this installation documentation.

## Technical Information

### Special Tools

- Automatic wire stripper 0.2 - 6mm<sup>2</sup>
- Crimping pliers for cable lug / tab connector 0.5 - 6mm<sup>2</sup>
- Torque wrench for 2.0 - 10 Nm
- Webasto Thermo Test diagnosis with current software

### Dimensions

- All dimensions are in mm

### Tightening torque values

Tighten bolt connections in accordance with manufacturer's instructions or in accordance with state-of-the-art- technology.

# Ford Mondeo

## Explanatory Notes on Document

To provide you with a quick overview of the individual working steps, you will find an identification mark on the outside top right corner of the page in question.

### Electrical System



Special features are highlighted using the following symbols:

**Specific risk of damage to components.**



**Specific risk of injury or fatal accidents.**



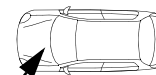
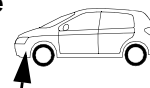
**Reference to general installation instructions of the Webasto components or to the manufacturer's vehicle-specific documents.**



**Reference to a special technical feature.**



**The arrow in the vehicle icon indicates the position on the vehicle and the viewing angle.**



**Tightening torque according to the manufacturer's vehicle-specific documents**



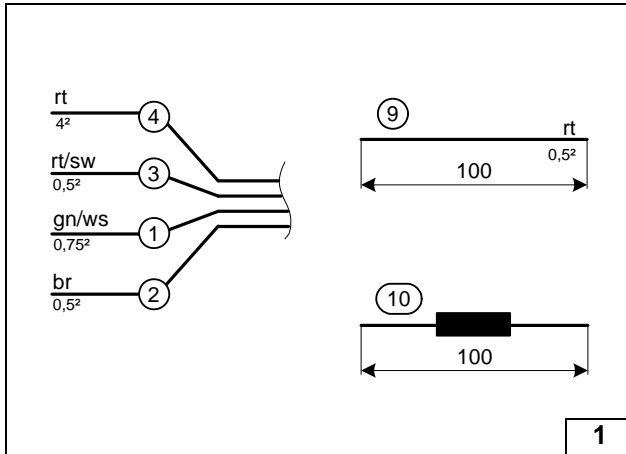
## Preliminary Work

### Vehicle

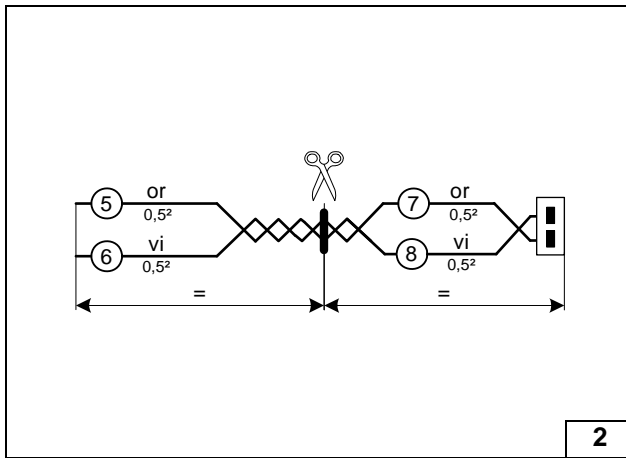


- Disconnect the battery.
- Remove the lower footwell trim on the front passenger's side.
- Remove the trim strip and air outlet trim over the glove compartment.
- Remove the glove compartment.
- Remove the lever trim (see installation instructions).
- Remove the A/C control panel trim (see installation instructions).
- Remove the A/C control panel (see installation instructions).
- Remove the centre tunnel trim on the right, loosen on the left side in the footwell.
- Loosen the storage compartment under the A/C control panel.

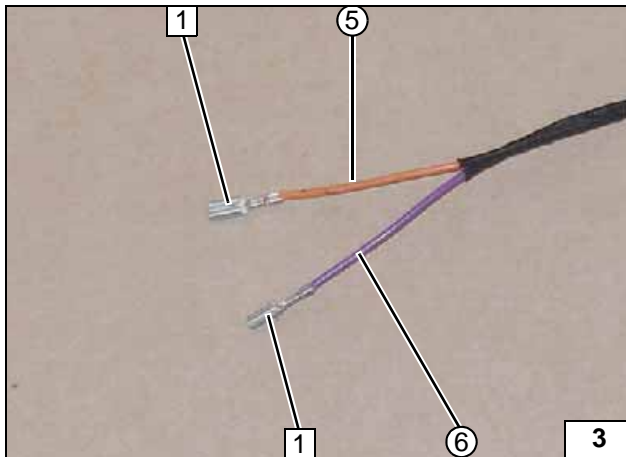




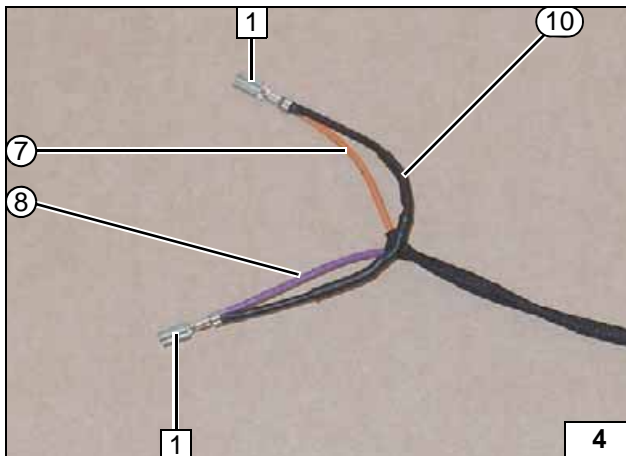
1



2



3



4

### Preparing Electrical System

Wire sections retain their numbering in the entire document.

Produce all following electrical connections as shown in wiring diagram.

- ① Green/white (gn/ws) wire of heater wiring harness from X1/5
- ② Brown (br) earth wire of heater wiring harness from 31
- ③ Red/black (rt/sw) wire of heater wiring harness from X10
- ④ Red (rt) wire of heater wiring harness from F2
- ⑩ Resistor
- ⑤ Orange (or) wire of CAN wiring harness part 1
- ⑥ Violet (vi) wire of CAN wiring harness part 1
- ⑦ Orange (or) wire of CAN wiring harness part 2
- ⑧ Violet (vi) wire of CAN wiring harness part 2

- 1 2.8 mm tab receptacle [2x]
- ⑤ Orange (or) wire of CAN wiring harness part 1
- ⑥ Violet (vi) wire of CAN wiring harness part 1

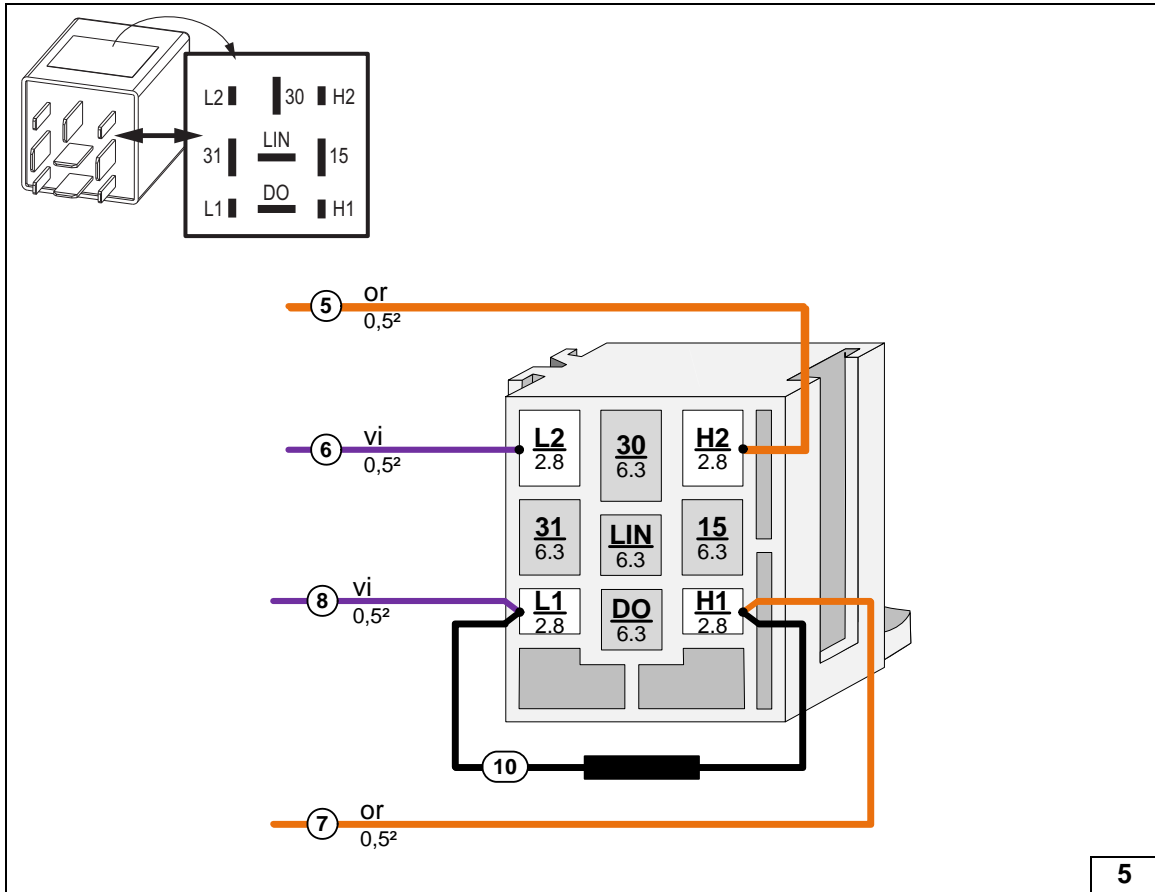
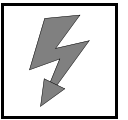
- 1 2.8 mm tab receptacle [2x]
- ⑦ Orange (or) wire of CAN wiring harness part 2
- ⑧ Violet (vi) wire of CAN wiring harness part 2
- ⑩ Resistor

Cutting to length / preparing wires

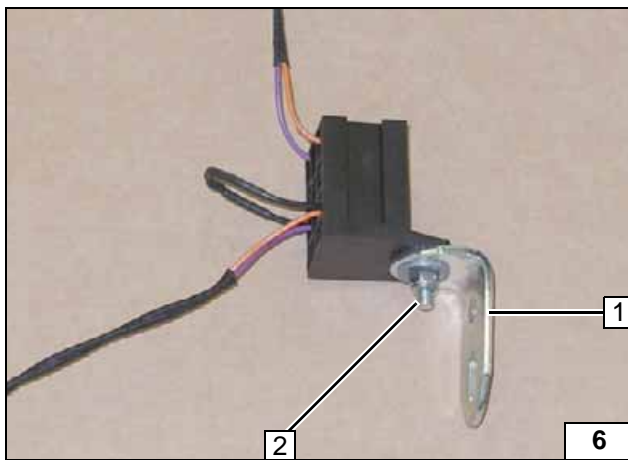
Cutting to length / assigning wiring harnesses

Preparing wire

Preparing wire

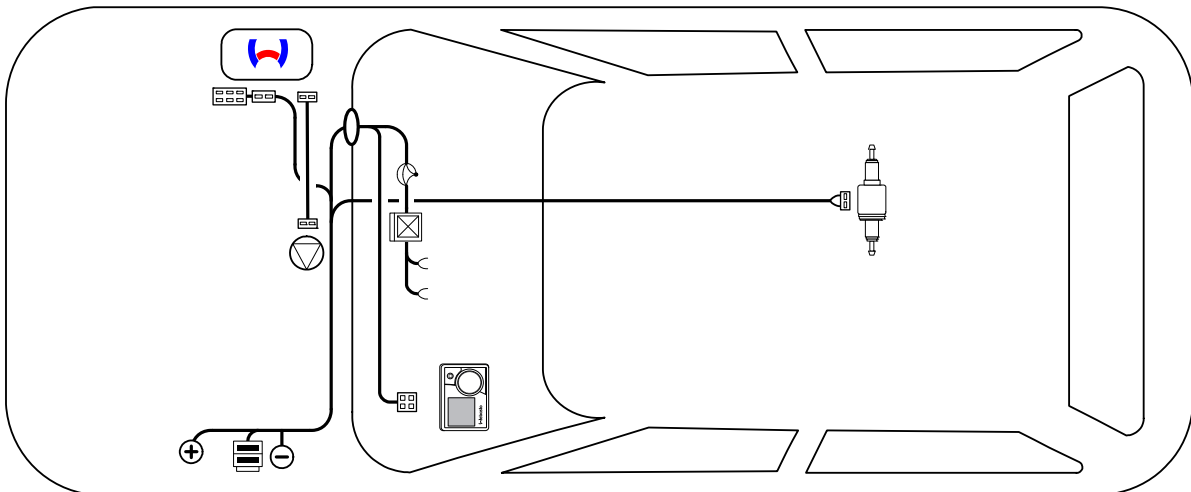


Connecting wires to CCL Gateway socket



- 1 Angle bracket
- 2 M5x16 bolt, large diameter washer [2x], nut

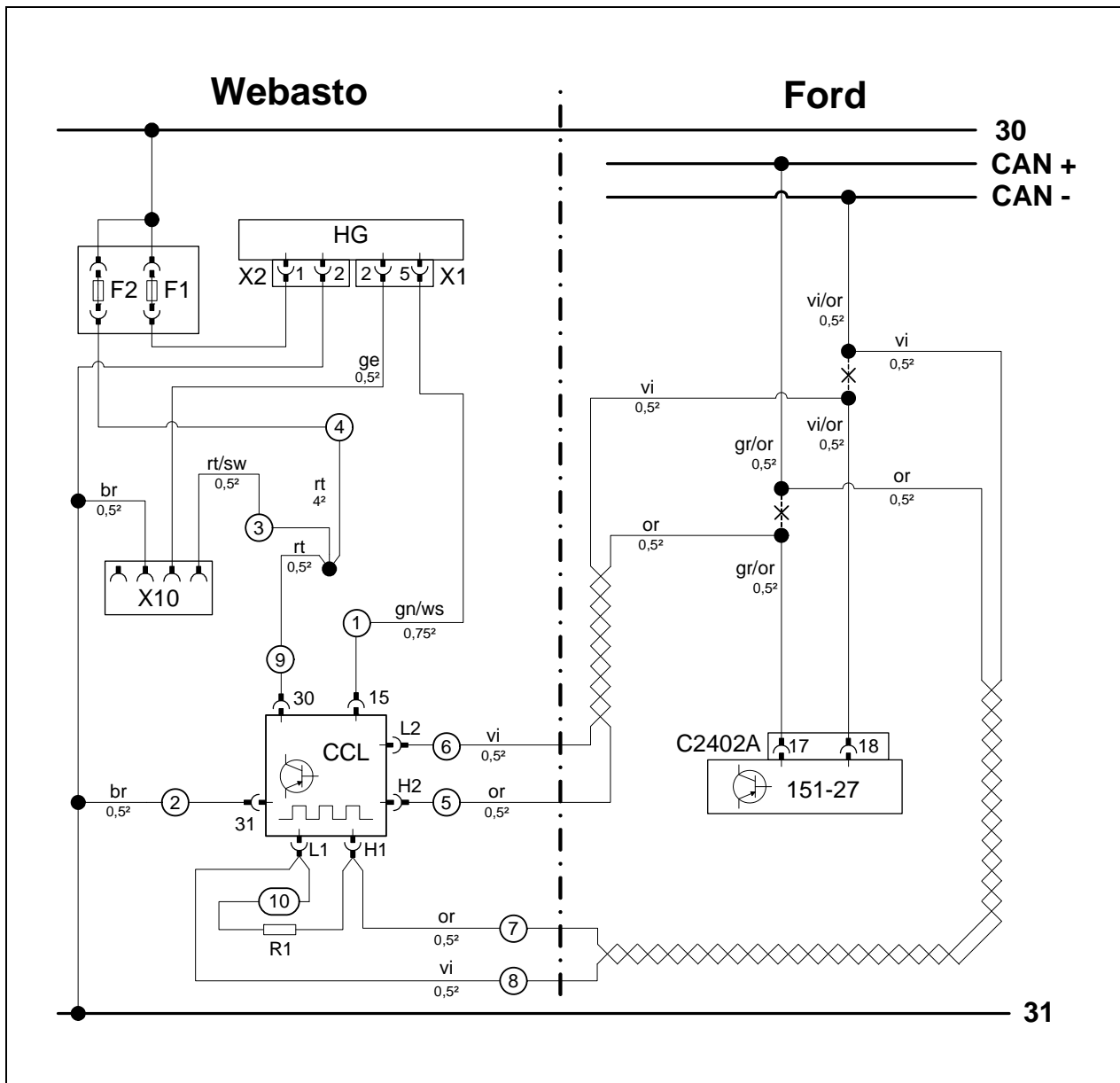
Installing angle bracket



Wiring harness routing diagram



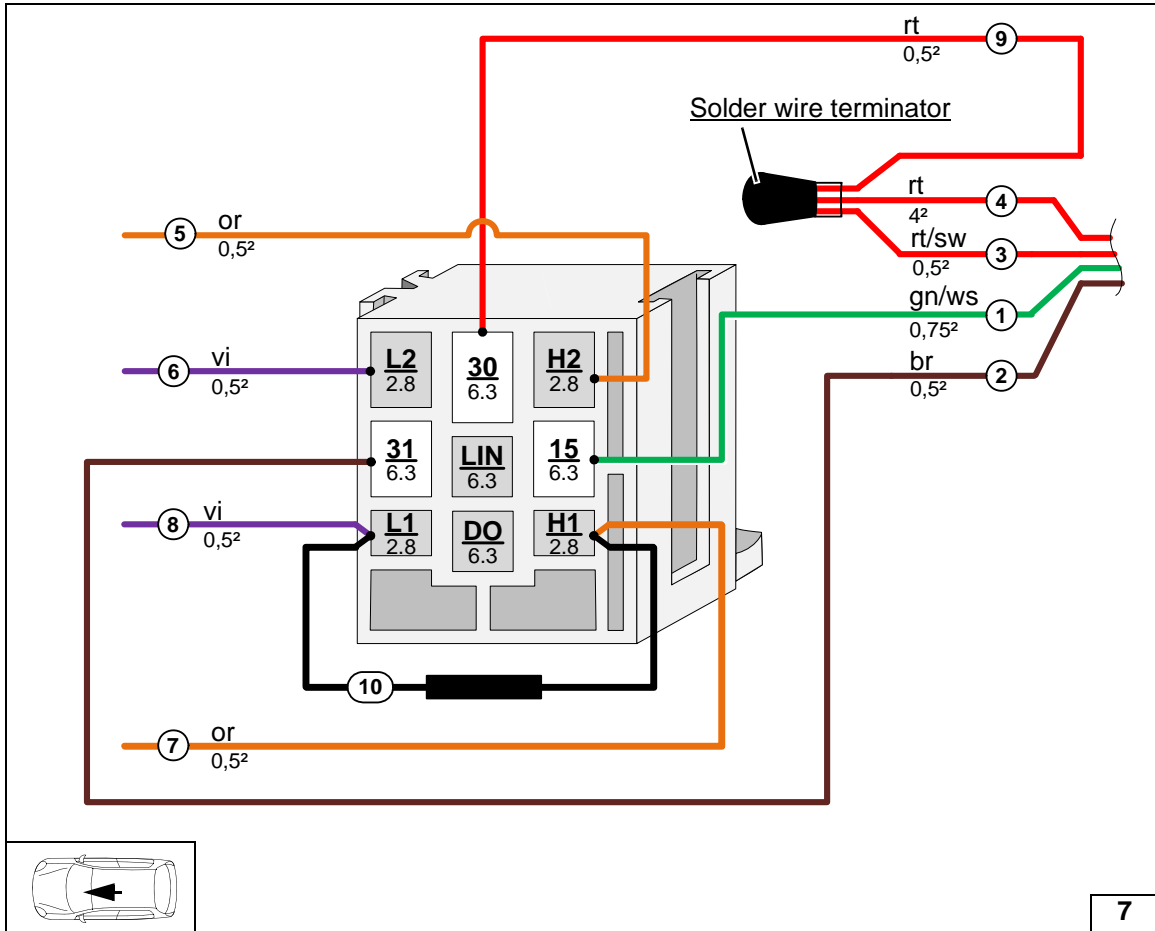
Fan Controller for Automatic Air-Conditioning



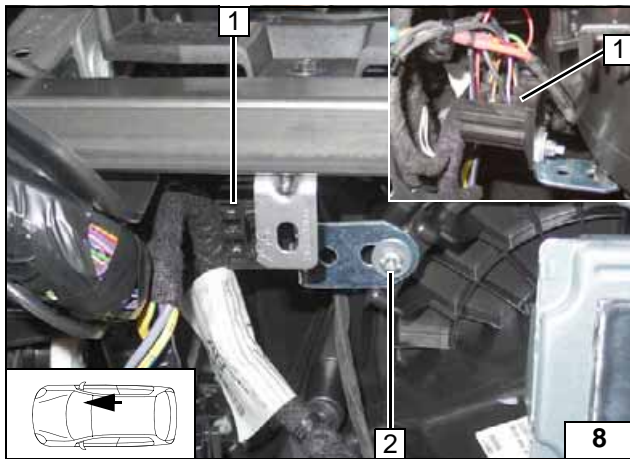
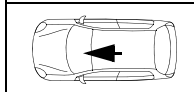
Wiring diagram

| Webasto components |                                   | Vehicle components |                         | Colours and symbols      |               |
|--------------------|-----------------------------------|--------------------|-------------------------|--------------------------|---------------|
| HG                 | Heater TT-Evo                     | 151-27             | A/C control panel       | rt                       | red           |
| X1                 | 6-pin heater connector            | C2402A             | 26-pin connector 151-27 | sw                       | black         |
| X2                 | 2-pin heater connector            |                    |                         | ge                       | yellow        |
| F1                 | 20A fuse                          |                    |                         | gn                       | green         |
| F2                 | Replace 30A fuse with 1A fuse     |                    |                         | ws                       | white         |
| X10                | 4-pin connector of heater control |                    |                         | br                       | brown         |
| CCL                | CCL Gateway                       |                    |                         | gr                       | grey          |
| R1                 | Resistor                          |                    |                         | vi                       | violet        |
|                    |                                   |                    |                         | or                       | orange        |
|                    |                                   |                    |                         | X                        | Cutting point |
|                    |                                   |                    |                         | Wiring colours may vary. |               |

Legend

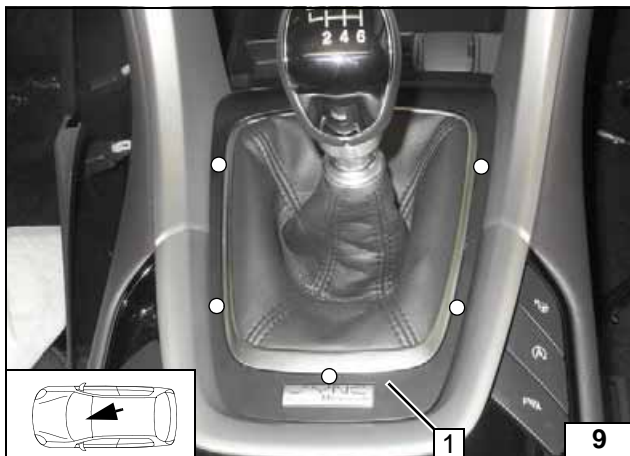


Connecting wires from heater wiring harness to CCL-Gateway socket in passenger compartment



- 1 CCL-Gateway socket
- 2 Original vehicle bolt, large diameter washer with inner dia.  $d_i = 5.3$  mm

Mounting CCL-Gateway socket to fan motor housing



### A/C Control Panel Installation Instructions

- 1 Shift lever trim
- Fastening points, clipped on (one covered behind shift lever)



Removing shift lever trim



- 1 A/C control panel trim/ display
- Fastening points, clipped on



Removing A/C control panel trim/ display



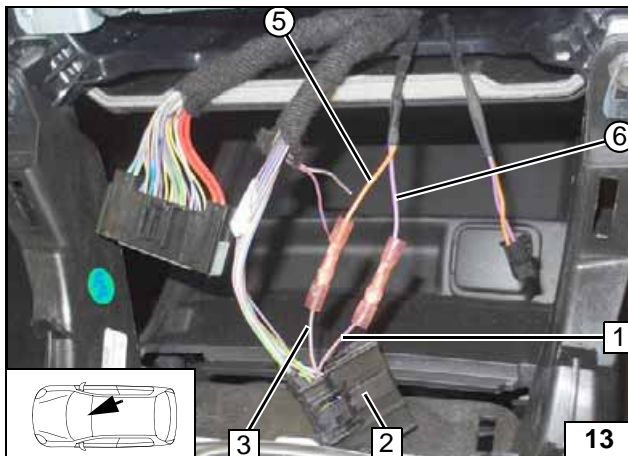
- 1 A/C control panel
- 2 Remove original vehicle bolts [4x]

Removing A/C control panel and pulling off connector [2x]



- 1 Connector C2402B of A/C control panel
- 2 Connector C2402A of A/C control panel

View of A/C control panel connector

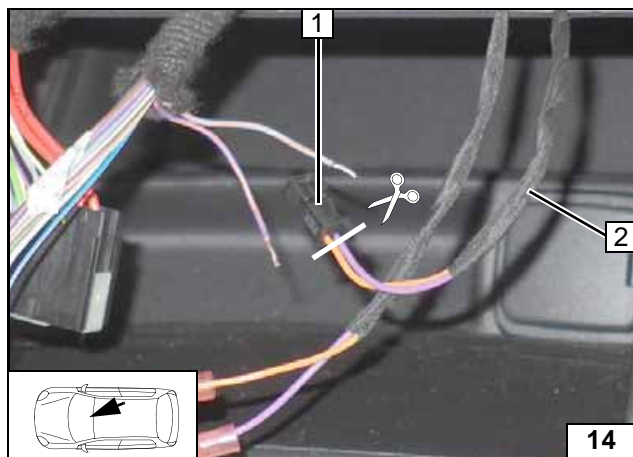


### Fan Controller

- 1 Violet/orange (vi/or) wire of connector C2402A KB/ pin 18
- 2 Connector C2402A of A/C control panel
- 3 Grey/orange (gr/or) wire of connector C2402A / pin 17
- ⑤ Orange (or) wire of CCL Gateway/H2 CAN wiring harness part 1
- ⑥ Violet (vi) wire of CCL Gateway/L2 CAN wiring harness part 1

Connecting A/C control panel



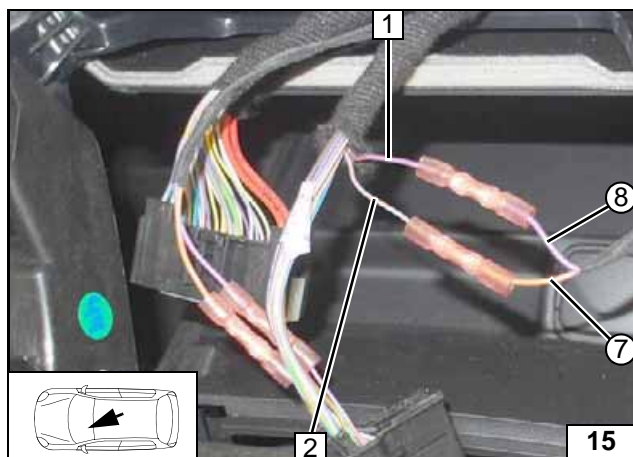


Cut connector 1 from CAN wiring harness part 2 and discard.



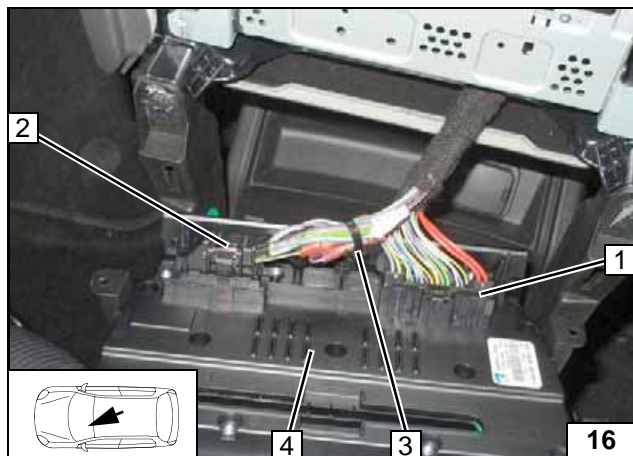
2 CAN wiring harness part 2

Connecting  
A/C control  
panel



- 1 Violet/orange (vi/or) wire of CAN -
- 2 Grey/orange (gr/or) wire of CAN +
- ⑦ Orange (or) wire of CCL Gateway/H1
- ⑧ Violet (vi) wire of CCL Gateway/L1

Connecting  
A/C control  
panel



Secure CAN-wiring harness with cable tie 3.



- 1 Connector C2402B of A/C control panel
- 2 Connector C2402A of A/C control panel
- 4 A/C control panel

Installing  
connector  
[2x]

Webasto Thermo & Comfort SE  
Postfach 1410  
82199 Gilching  
Germany  
Internet: [www.webasto.com](http://www.webasto.com)  
Technical Extranet:  
<http://dealers.webasto.com>

## "Comfort" Automatic A/C Operating Instructions

Please remove page and add to the vehicle operating instructions.

**Note:**

We recommend matching the heating time to the driving time.

Heating time = driving time

**Example:**

For a driving time of approx. 20 min. (in one direction), we recommend not exceeding a switch-on time of 20 min.

Passenger compartment monitoring , if installed, must be deactivated in addition to the vehicle settings for the heating operation.

Instructions for deactivation can be taken from the operating instructions manual of the vehicle.

**Note:**

No settings on the A/C control panel are needed before parking the vehicle!



- 1 1A main fuse F2 of passenger compartment
- 2 20A fuse F1 of heater

**Fuses of engine compartment**

