

Thermo Top C Additional Heater e1
00 0002

Installation Instructions

Chevrolet Captiva

2.4 Gasoline and 2.0 Diesel
from Model Year 2006
Left-hand drive vehicle
Manual transmission



WARNING!

Hazard warning:

Incorrect installation or repair of Webasto heating systems may cause a fire or result in the emission of carbon monoxide, which can be fatal. Serious or fatal injuries can be caused as a result.

Specialist company training, technical documentation, specialized tools and equipment are required to install and repair Webasto heating and cooling systems.

NEVER attempt to install or repair Webasto heating or cooling systems if you have not successfully completed the company training and thereby acquired the required technical skills, or if you do not have access to the required technical documentation, tools and equipment needed to carry out correct installation and repairs.

ALWAYS follow all Webasto installation and repair instructions and observe all warnings.

Webasto does not accept any liability for defects and damage that are attributable to installation by untrained staff.

Table of Contents

Validity	2	Preparing heater unit	12
Heater Unit/Installation Kit	3	Preparing installation location	14
Foreword	3	Installing heater unit	15
General Instructions	3	Repositioning control unit for gasoline engine only	16
Special Tools	3	Repositioning control unit with Autogas	17
Explanatory Notes on Document	4	Coolant connection for diesel engine	18
Preliminary Work	5	Coolant connection for gasoline	21
Heater unit installation location	5	Fuel Connection	23
Electrical Connections	6	Combustion air	27
Fan controller for manual air conditioning	7	Exhaust system	28
Automatic air-conditioning fan controller	8	Final Work	30
Remote option (Telestart)	11	Operating Instructions for End Customer	31

Validity

Manufacturer	Model	Type	EG-BE No./ABE
GM Daewoo	Chevrolet Captiva	KLAC	e4 * 2001 / 116 * 0113

Engine type	Engine model	Output in kW	Displacement in cm ³
Z20 S	Diesel	110	1991
Z24 SED	Gasoline	100	2405

Vehicle and engine types, equipment variants and national specifications not listed in these installation instructions have not been tested. However, installation according to these installation instructions may be possible.

The installation location of a digital timer and summer/winter switch should be confirmed with the end customer before installation.

Heater Unit/Installation Kit

Quantity	Description	Order No.:
1	Retail accessories with desired heater control	See price list
1	Installation kit for Chevrolet Captiva Gasoline and Diesel (basic kit)	9017037A

Also required for 2.4 Gasoline:

Quantity	Description	Order No.:
1	Additional kit for Chevrolet Captiva 2.4 Gasoline	9017041A

Also required with automatic air-conditioning:

Quantity	Description	Order No.:
1	Kit for Chevrolet Captiva with Automatic Air-Conditioning	9017052B

Foreword

These installation instructions apply to Chevrolet Captiva vehicles with a 2.4 Gasoline and 2.0 Diesel engine and a manual transmission - for validity, see page 2 - from model year 2006 and later, assuming technical modifications to the vehicle do not affect installation, any liability claims excluded. Depending on the vehicle version and equipment, modifications may be necessary during installation with respect to these installation instructions.

However, the stipulations in the "installation instructions" and "operating and maintenance instructions" for the *Thermo Top C/P/E* must always be observed.

The corresponding rules of technology and any information from the vehicle manufacturer should be observed during the installation work.

General Instructions

Installation should be carried out according to the general, standard rules of technology. Unless specified otherwise, fasten hoses, lines and wiring harnesses to original vehicle lines and wiring harnesses using cable ties.

Sharp edges should be fitted with edge protectors (split-open plastic hose).

Spray unfinished body areas, e.g. drilled holes, with anti-corrosion wax (Tectyl 100K, Order No. 111329).

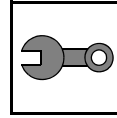
Special Tools

- Torque wrench for 2.0 - 10 Nm
- Hose clamping pliers
- Metric Thread-Setter Kit

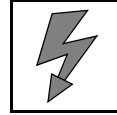
Explanatory Notes on Document

To provide you with a quick overview of the individual working steps, you will find an identification mark on the outside top right corner of the page in question.

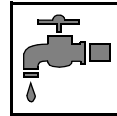
Mechanical system



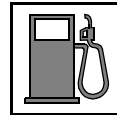
Electrical system



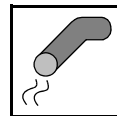
Coolant connection



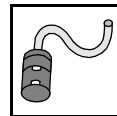
Fuel connection



Exhaust system



Combustion air



Special features are highlighted using the following symbols:



Specific risk of injury or fatal accidents.



Specific risk of damage to components.



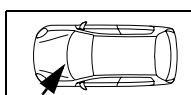
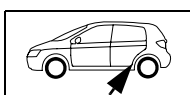
Specific risk of fire or explosion.



Reference to general installation instructions of Webasto components or to the manufacturer's vehicle-specific documents.



Reference to a special technical feature.



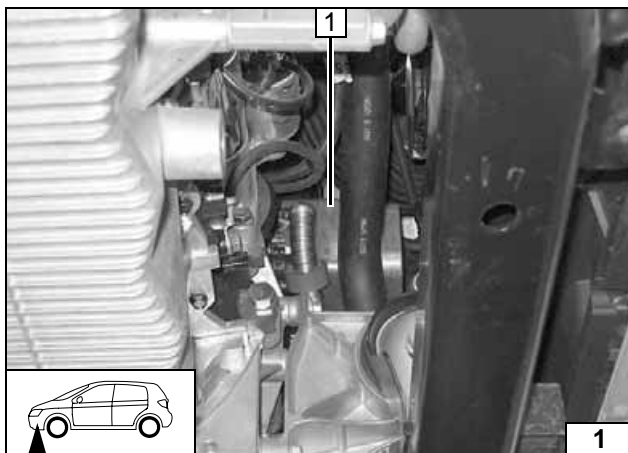
The arrow in the vehicle icon indicates the position on the vehicle and the viewing angle.

Preliminary Work

WARNING!

- Disconnect the battery "earth" or "ground" connection.
- Depressurize the cooling system.
- Copy the factory number from the original type label to the duplicate type label.
- Remove years that do not apply from the duplicate label.
- Attach the duplicate label (type label) in the appropriate place.
- Completely remove the battery
- Remove the fuse and relay box
- Remove the engine cover
- Remove the engine control unit
- Disconnect the power-steering fluid reservoir
- Disconnect the expansion tank
- Remove the charge-air tube between the air filter and the turbocharger
- Disconnect the air hose from the charge-air tube to the engine at the engine
- Remove the filler neck of the window washer system
- Remove the vent line at the top to the coolant expansion tank
- Open the fuel tank cap, ventilate the tank.
- Close the tank cap again.
- Remove the underride protection
- Open the left tank mounting service lid
- Remove the glove compartment

Remove page 31 "Operating Instructions for End Customer" and add to the vehicle operating instructions.



Heater unit installation location

- 1 Heater unit

Installation location

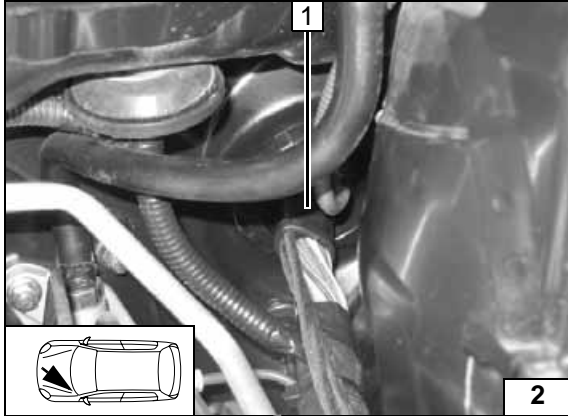


Electrical Connections



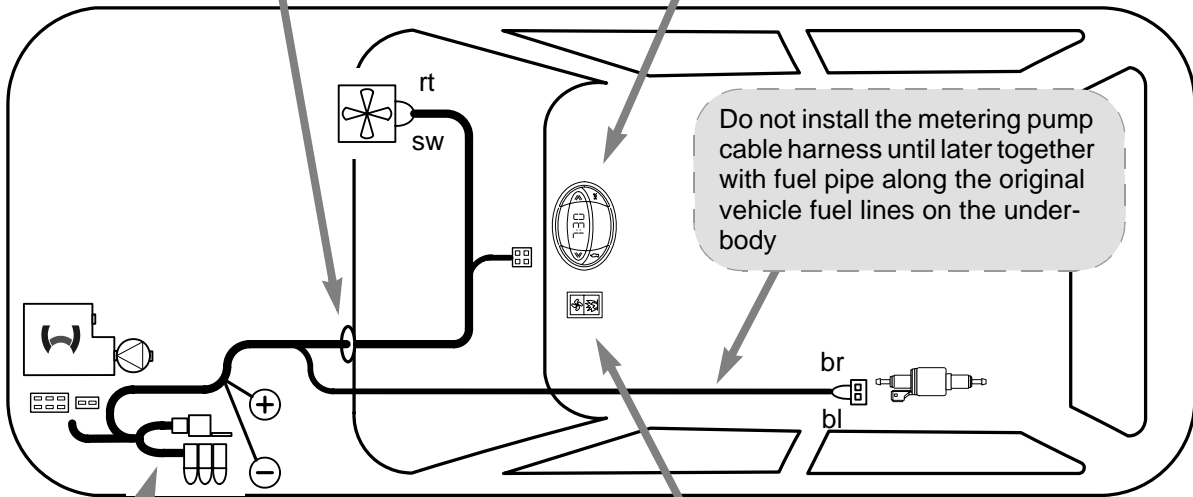
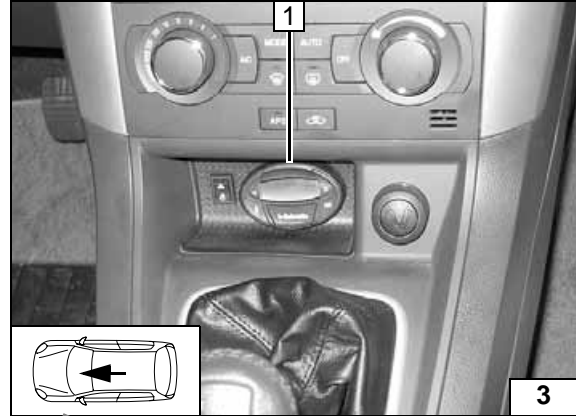
Wiring harness pass through

- 1 Protective rubber plug

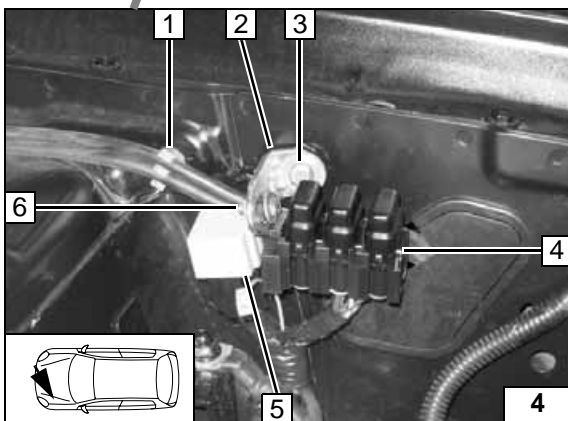


Digital timer

- 1 Digital timer

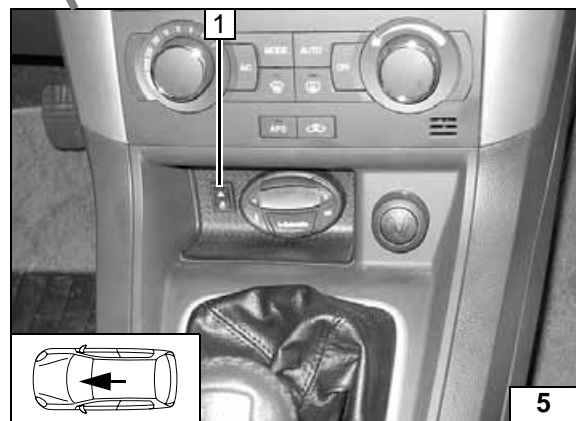


Wiring harness installation diagram



Fuse holder, K3 relay

- 1 Move original vehicle clip
- 2 Angle bracket
- 3 Drill out hole to 9 mm dia., mount M6 rivet nut, M6x20 bolt, spring lockwasher
- 4 Fuse holder
- 5 K3 relay
- 6 Align M5x16 bolt, large diameter washer, M5 flanged nut to right in oblong hole

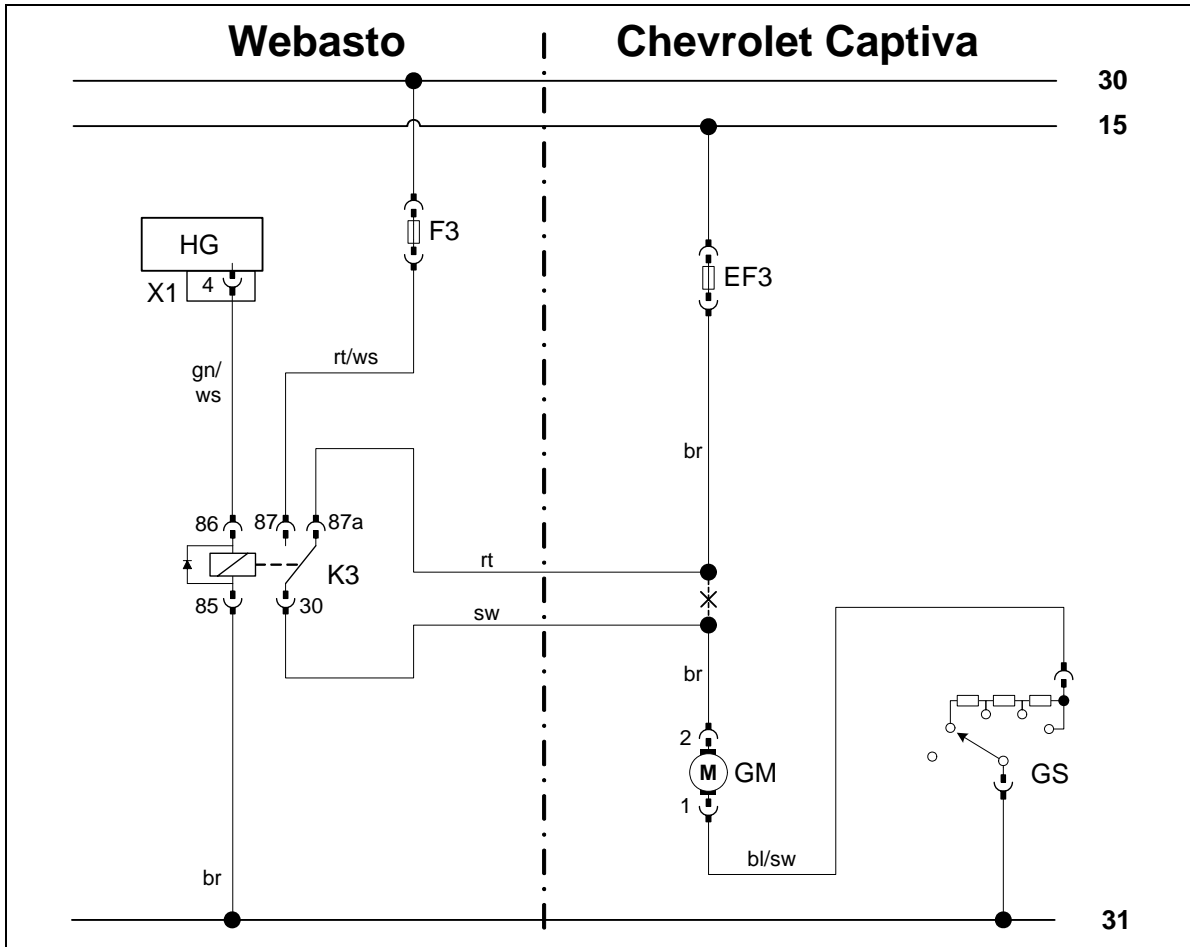


Summer/winter switch option

- 1 Summer/winter switch, drilled hole 12 mm dia.



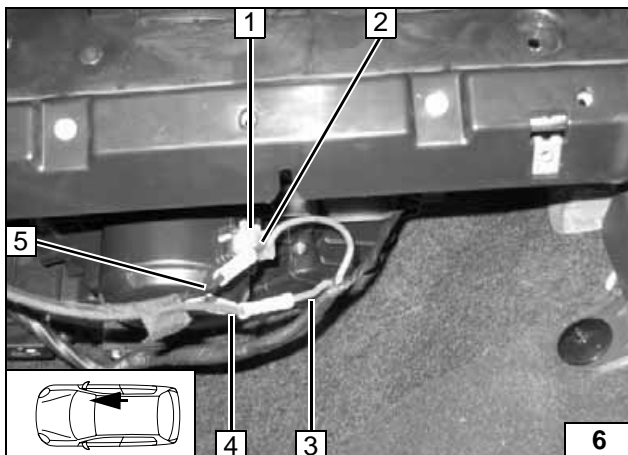
Fan controller for manual air conditioning



Wiring diagram for manual air conditioning

Webasto components		Components of Chevrolet Captiva		Colors and symbols	
HG	Heater unit TT-C/E	GM	Fan motor	rt	red
X1	6-pin connector	GS	Fan switch	ws	white
F3	Fuse, 25 A	EF3	40 A fan fuse	sw	black
K3	Fan relay			br	brown
				gn	green
				bl	blue
				X	Cutting point
				Wiring colors may vary.	

Legend



Connection to 2-pin connector 1 from fan motor.

Make connections as shown in the wiring diagram with the connectors provided.

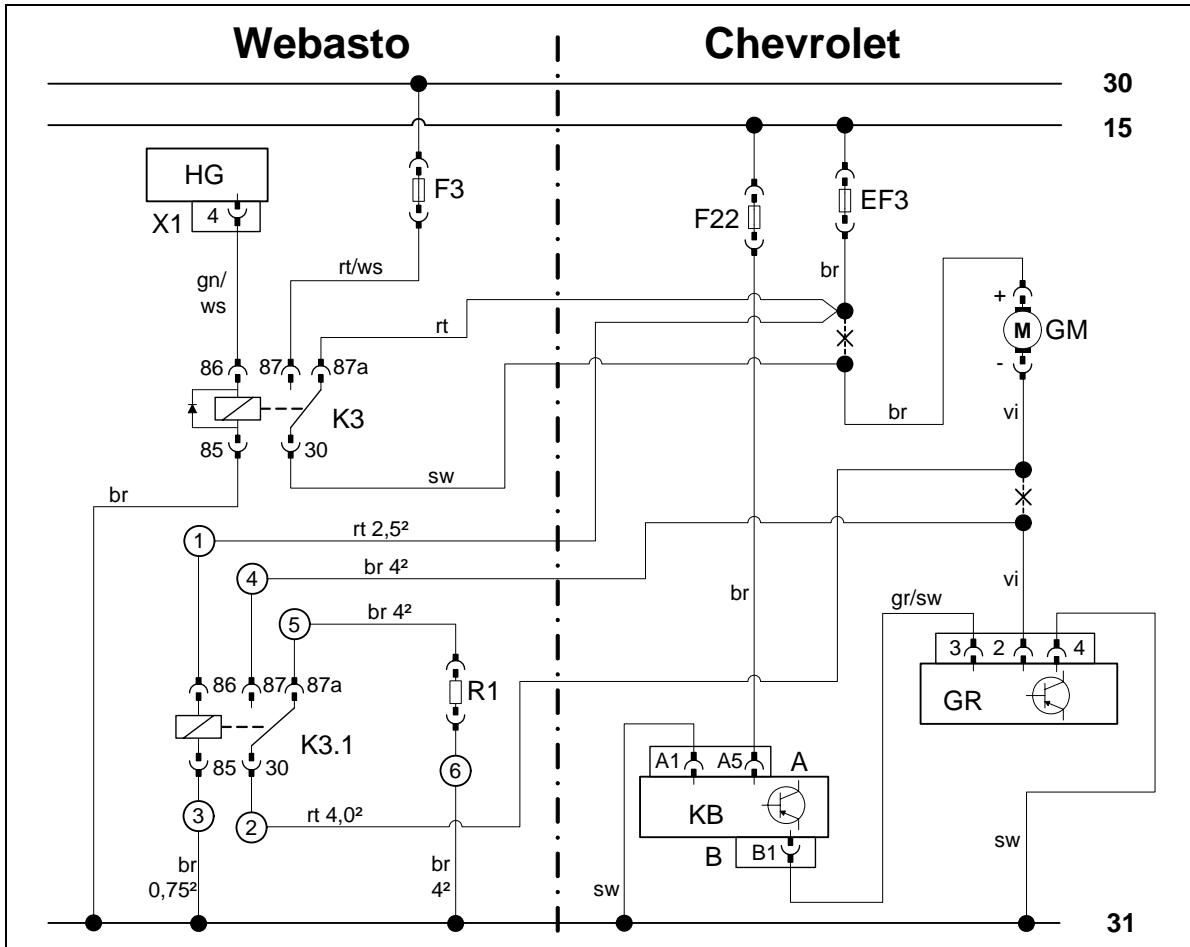
- 2 Brown (br) wire to connector
- 3 Brown (br) wire from fuse block
- 4 Red (rt) wire to K3/87a
- 5 Black (sw) wire from K3/30



Connecting fan motor



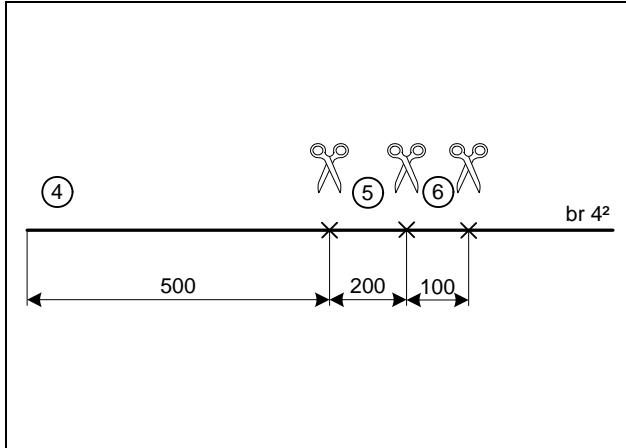
Automatic air-conditioning fan controller



Automatic air-conditioning circuit diagram

Webasto components		Components of Chevrolet Captiva		Colors and symbols	
HG	Heater unit TT-C/E	GM	Fan motor	rt	red
X1	6-pin heater unit connector	GR	Fan controller	ws	white
F3	Fuse, 25 A	KB	Air-conditioning control element	sw	black
K3	Fan relay	F22	Fuse 10A	br	brown
K3.1	Additional relay	EF3	Fuse 40A	gn	green
R1	0.9 ohm resistor	A	Connector for A/C control panel	bl	blue
		B	Connector for A/C control panel	GR	gray
				vi	violet
				X	Cutting point
				Wiring colors may vary.	

Legend

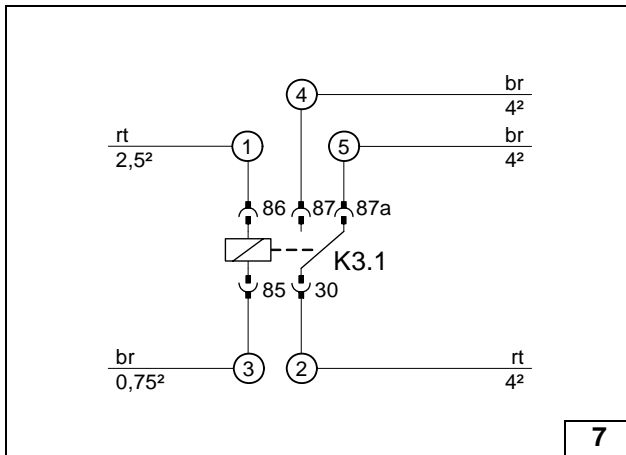


Preparing electrical system

Produce connections as shown in wiring diagram.
Crimp cable lug onto brown (br) wire ③ 0.75² provided and onto brown (br) wire section ⑥ 4².



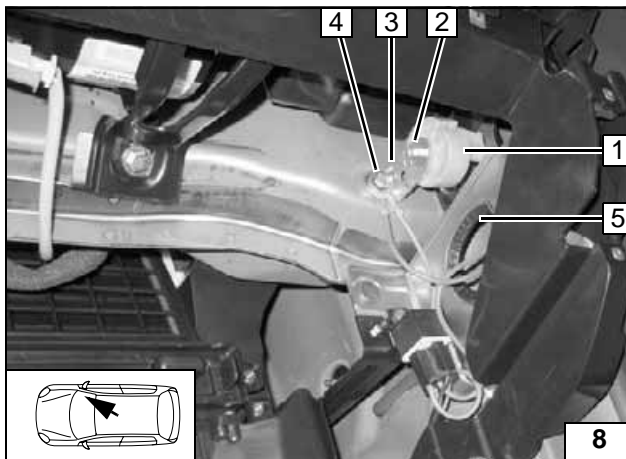
Cutting brown (br) wire to length



Produce connections as shown in wiring diagram.
Pull wires ①, ② and ④ in protective sleeving provided.



Preparing additional relay K3.1



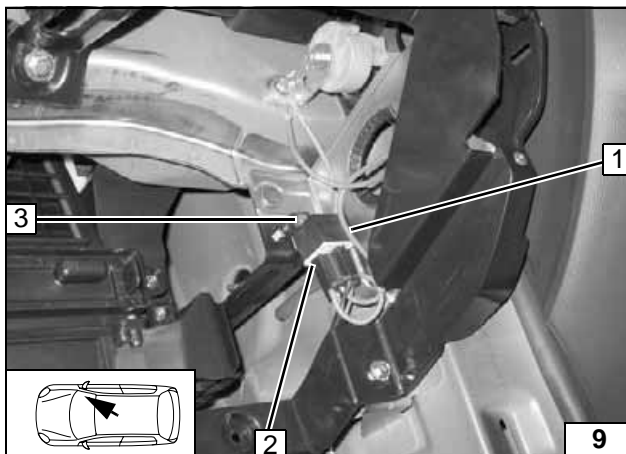
Installing components

Resistor 1 becomes hot!
Ensure sufficient spacing (at least 20 mm) to neighboring components.



- 3 M5x30 cap screw, large diameter washer, nut [2x]
- 2 Angle bracket
- 1 M6x20 bolt, spring lockwasher, brown (br) ground wires ③ 0.75² and ⑥ br 4² on existing threaded hole
- 5 Mount edge protection

Installing resistor and additional relay

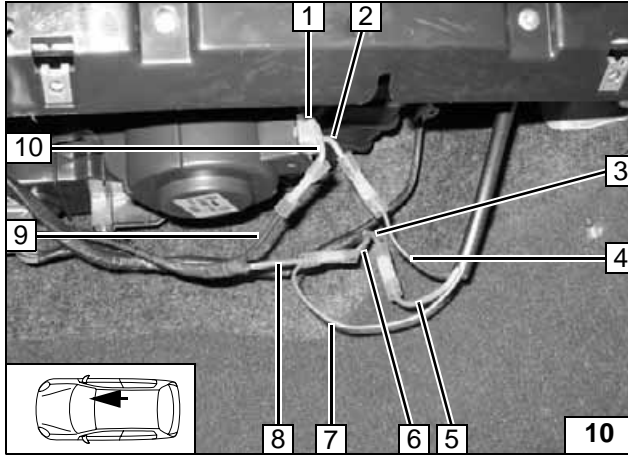


Produce connections as shown in wiring diagram.

- 1 Brown (br) wire ⑤ 4² from K3/87a to resistor
- 2 Additional relay K3.1
- 3 M5x16 bolt, flanged nut on existing hole



Connecting resistor and additional relay

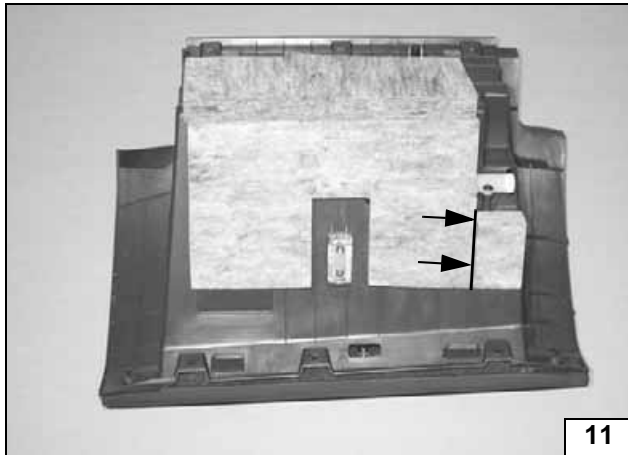


Connection to 2-pin connector **1** from fan motor.
Produce connections as shown in wiring diagram (crimp and shrink).

- 2** Violet (vi) wire from connector
- 3** Violet (vi) wire to fan controller
- 4** Red (rt) wire ② 4² from K3.1/30
- 5** Brown (br) wire ④ 4² from K3.1/87
- 6** Brown (br) wire from fuse EF3
- 7** Red (rt) wire ① 2.5² from K3.1/86
- 8** Red (rt) wire to K3/87a
- 9** Black (sw) wire from K3/30
- 10** Brown (br) wire to connector



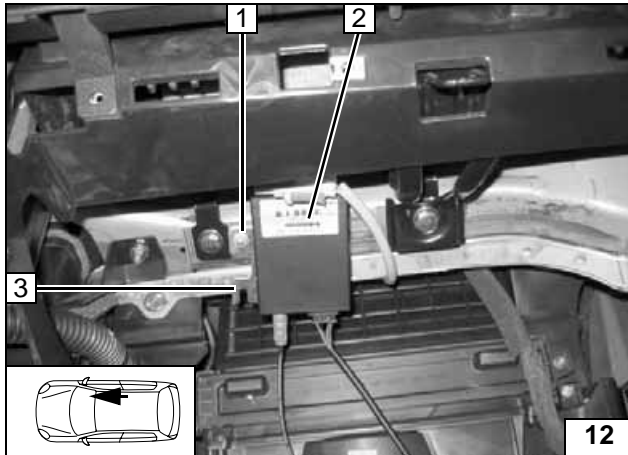
**Connect-
ing fan mo-
tor**



Cut away **insulation** of glove compartment at marking.



**Cutting
away insu-
lation**

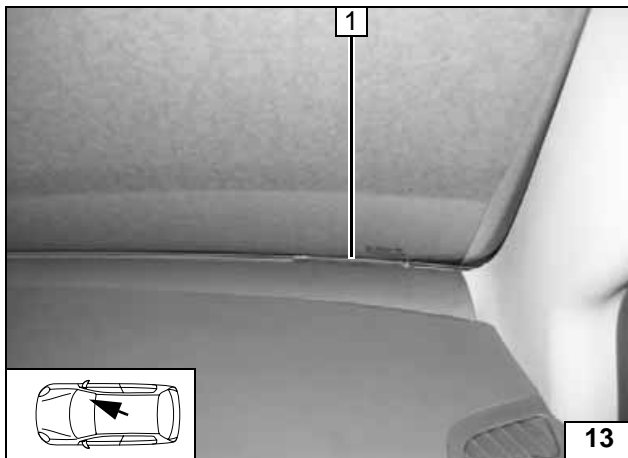


Remote option (Telestart)

- 1 Existing hole, M5x16 bolt, washer, flanged nut
- 2 Receiver
- 3 Telestart bracket

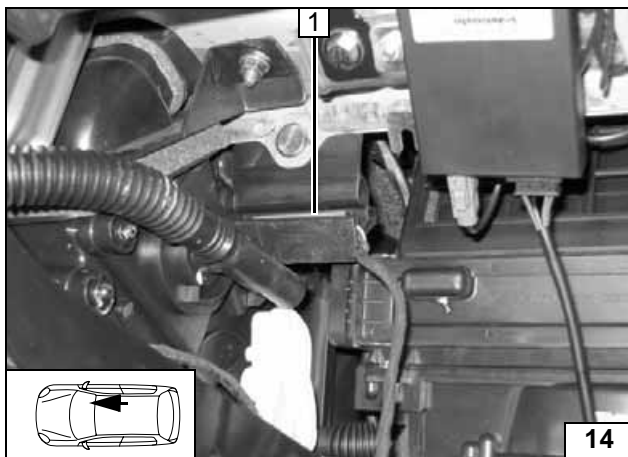


Installing receiver



- 1 Antenna

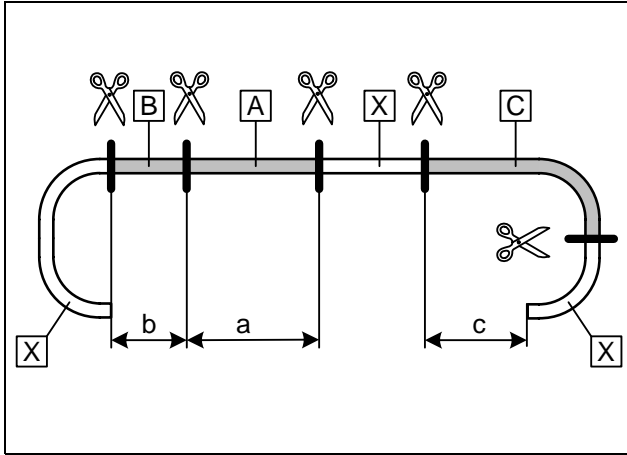
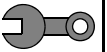
Installing antenna



Temperature sensor for HTM100 only

- 1 Fasten temperature sensor with suitable means (double-sided adhesive tape)

Installing temperature sensor



Preparing heater unit

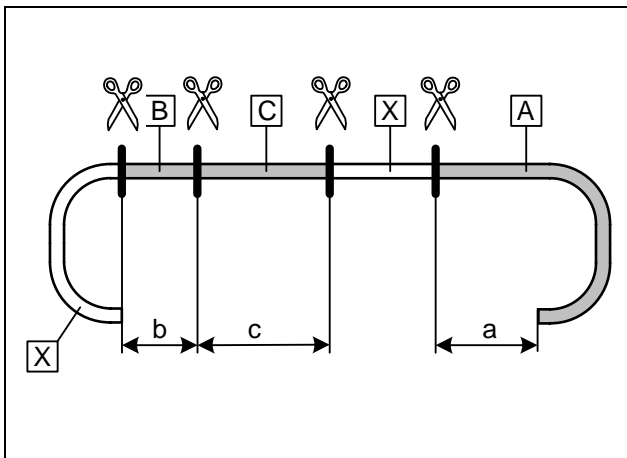
Diesel engine only

a = 440 mm
b = 125 mm
c = 520 mm

Discard section X



Cutting coolant hoses to length



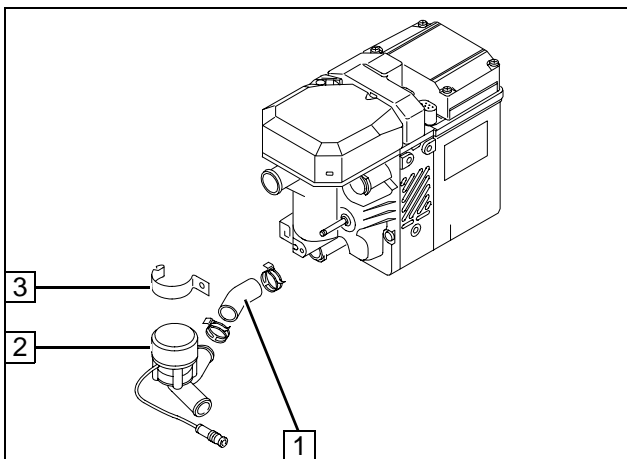
Gasoline engine only

a = 170 mm
b = 125 mm
c = 395 mm

Discard section X



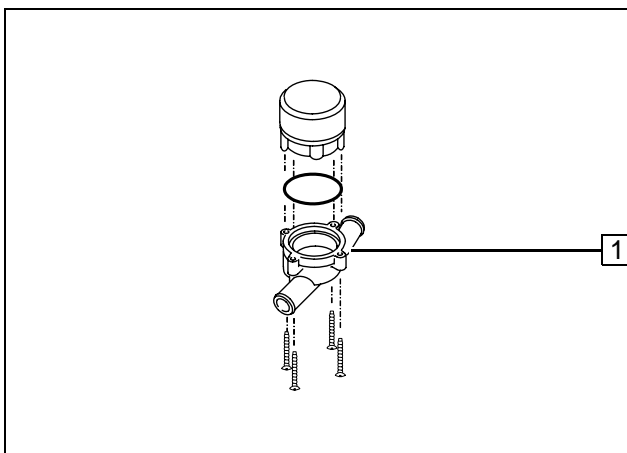
Cutting coolant hoses to length



Remove water pump 2 from heater unit. Hose section 1 and spring clip will be reused. Discard retaining clip 3 and bolt.



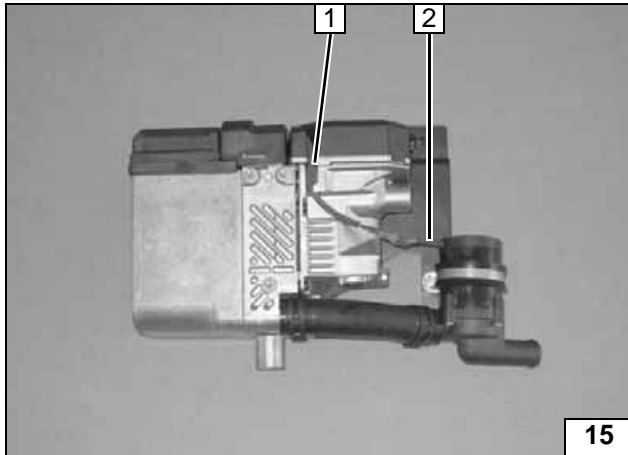
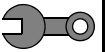
Removing water pump



Replace 193° lid 1.



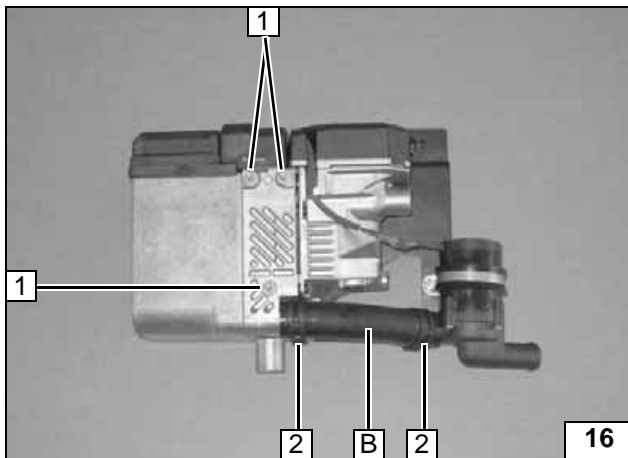
Replacing pump lid



Connect adapter line of water pump 1, cut to length and connect identical colors to wiring harness of water pump 2 using connectors (crimp and shrink).



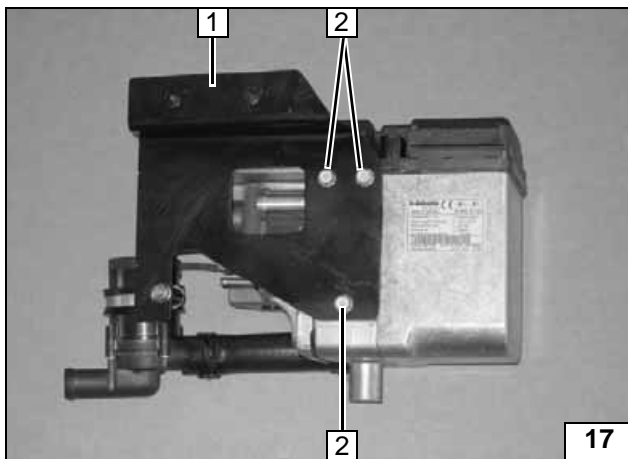
**Connect-
ing circu-
lating
pump**



Ejot stud, tightening torque 10 Nm!

- 1 Ejot stud [3x]
- 2 Existing spring clip [2x]

**Preassem-
bling heater
unit**

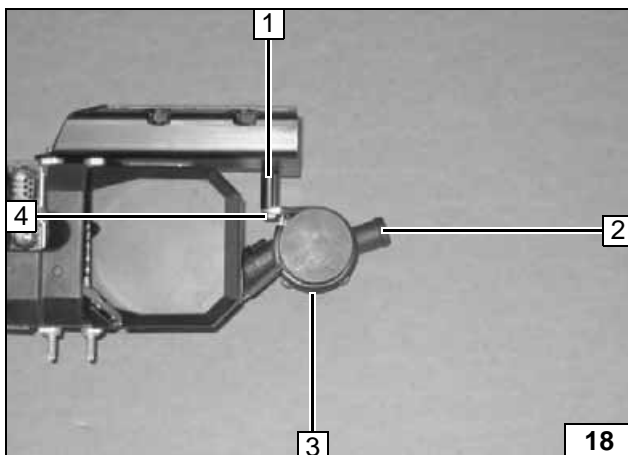


Ejot screw 2 [3x], tightening torque 10 Nm!

- 1 Bracket part 1

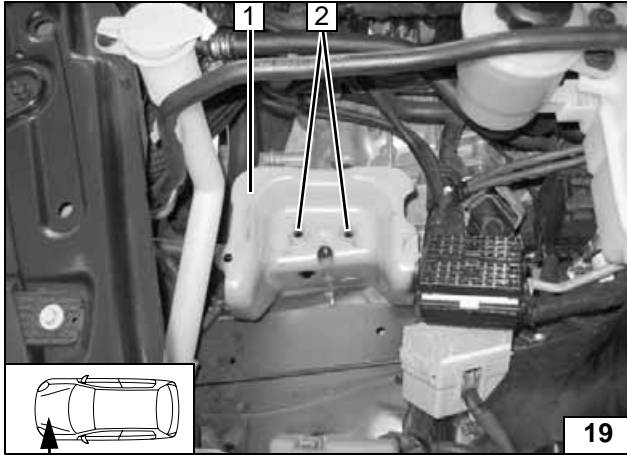
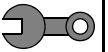


**Preassem-
bling
bracket 1
on heater
unit**



- 1 20 mm spacer
- 2 Water pump
- 3 Rubber-coated pipe clamp, 48 mm dia.
- 4 M6x35 bolt, M6 flanged nut

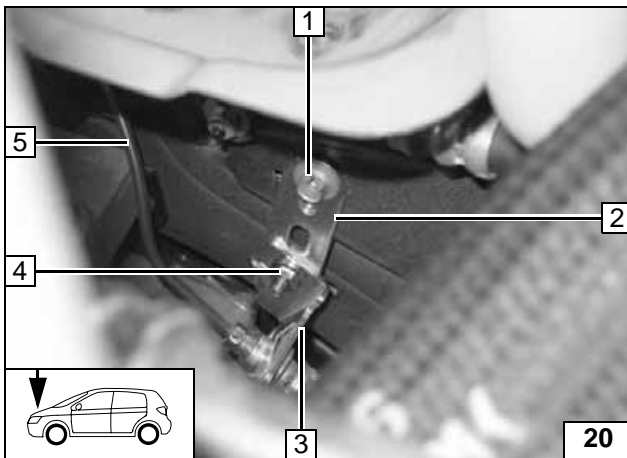
**Preassem-
bling wa-
ter pump**



Preparing installation location

- 1 Cross member for battery carrier
- 2 Drill out thread to 10 mm dia. [2x]

Drilling out thread

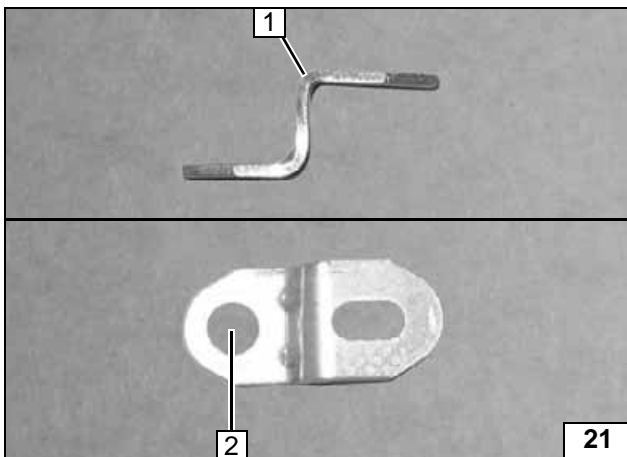


Remove bracket **3** of hydraulic line **5** and mount as shown. Original vehicle bolt **1** will be reused



- 2 Perforated bracket
- 3 M6x16 bolt, M6 flanged nut

Repositioning hydraulic line

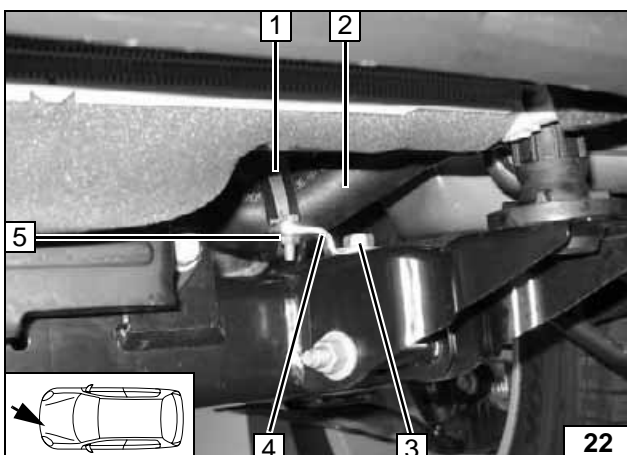


2.4 liter gasoline engine only

Bend angle bracket by approx. 90° at position **1**. Drill out to 10.5 mm dia. at position **2**.

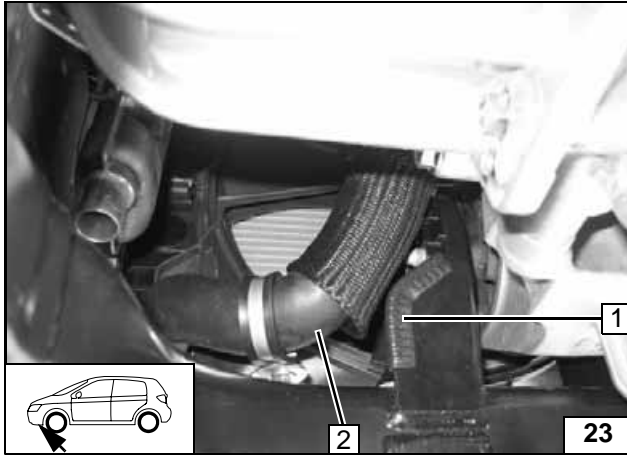
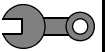


Preparing angle bracket



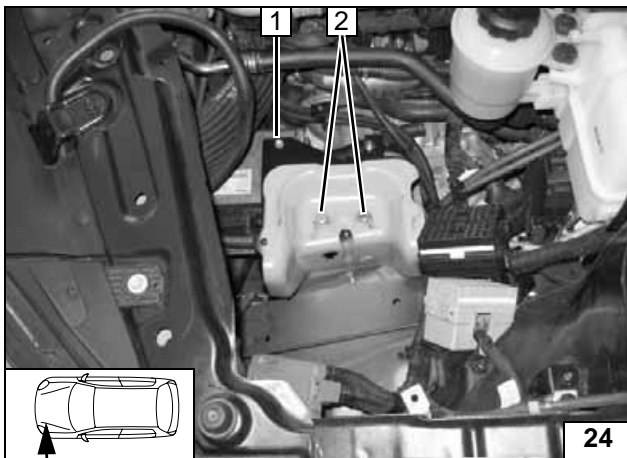
- 1 Rubber-coated pipe clamp, 48 mm dia.
- 2 Coolant hose
- 3 Original vehicle bolt
- 4 Prepared angle bracket
- 5 M6x20 bolt, M6 flanged nut

Repositioning coolant hose



- 1 80 mm edge protection
- 2 Coolant hose

Installing edge protection

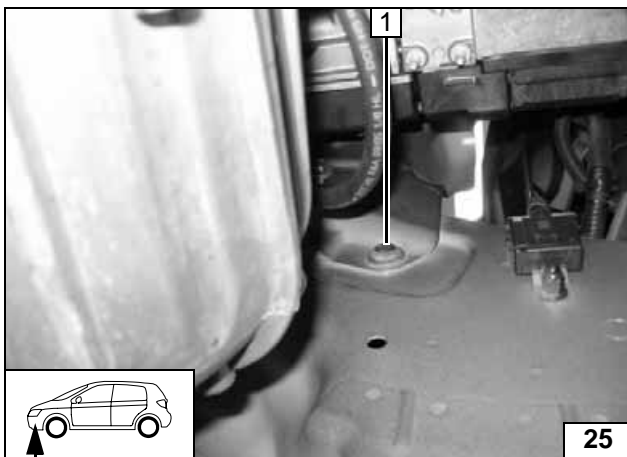


Installing heater unit

- 1 Preassembled heater unit
- 2 Loosely mount M8x30 bolt



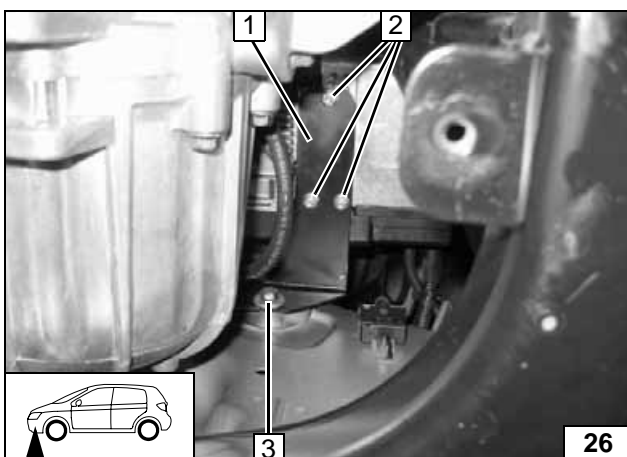
Installing heater unit



Remove original vehicle screw 1 and discard.



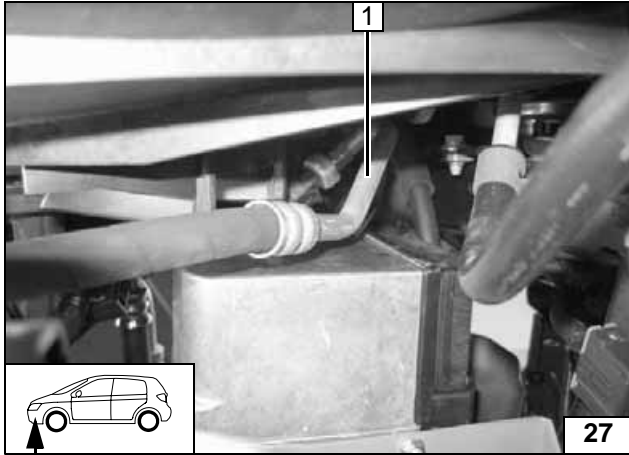
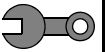
Installing bracket



- 1 Bracket part 2
- 2 M6 flanged nut [3x]
- 3 M8x40 bolt, spring lockwasher, large diameter washer



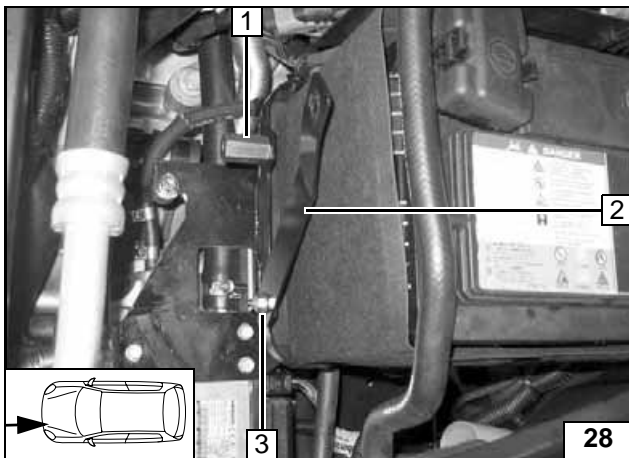
Installing bracket



Ensure sufficient spacing to neighboring components, especially to A/C line 1; correct if necessary.



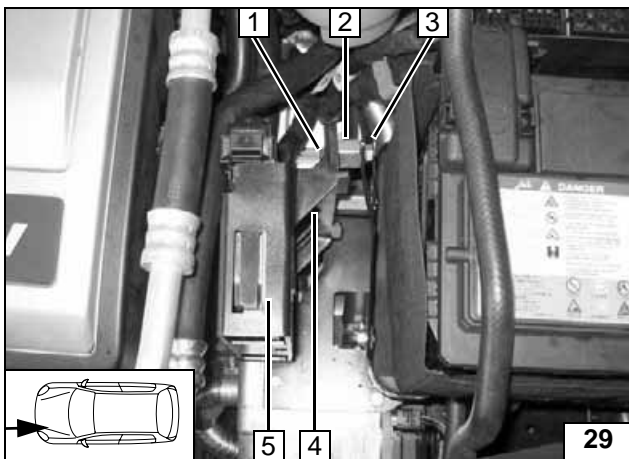
**Aligning
heater unit**



Repositioning control unit for gasoline engine only

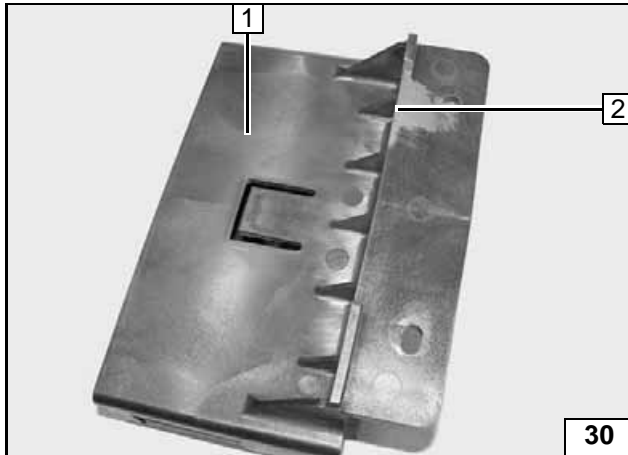
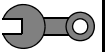
- 1 30 mm spacer nut on existing stud bolt
- 2 Strut
- 3 Flanged nut on existing stud bolt

**Repositioning
control
unit**



- 1 M6x30 bolt, large diameter washer
- 2 Spacer nut, 15 mm
- 3 Flanged nut
- 4 M6x16 bolt, spring lockwasher, large diameter washer
- 5 Control unit

**Repositioning
control
unit**



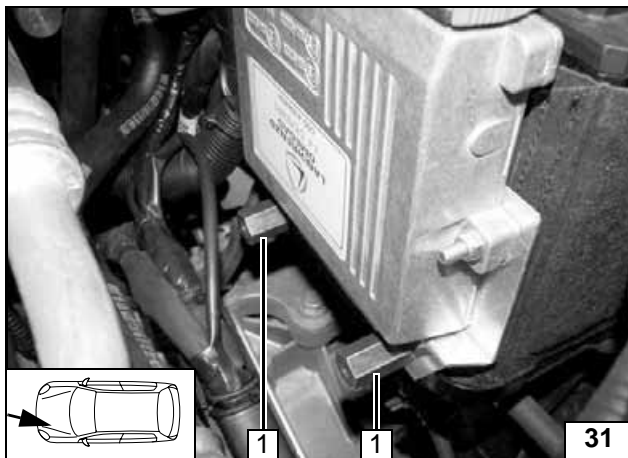
Repositioning control unit with Autogas

Cut away bar at position 2.

1 Control unit bracket



Preparing control unit

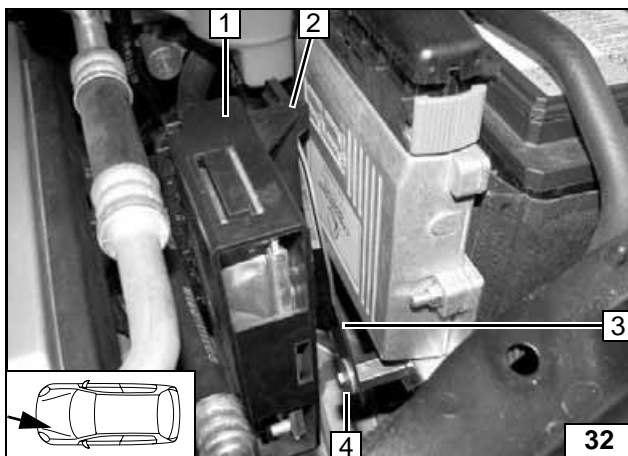


Remove nuts at position 1 before installing.

1 30 mm spacer nut [2x] on existing stud bolts



Installing spacer nuts



Fasten control unit bracket 1 with M6x16 bolt, spring lock washer and large diameter washer on rear spacer nut.

Ensure sufficient spacing to neighboring components, and especially to servo line (at least 5 mm).

2 Mount M6x20 bolt, large diameter washer, flanged nut in existing hole

3 Strut

4 M6x16 bolt, spring lock washer and large diameter washer on front spacer nut



Repositioning control unit



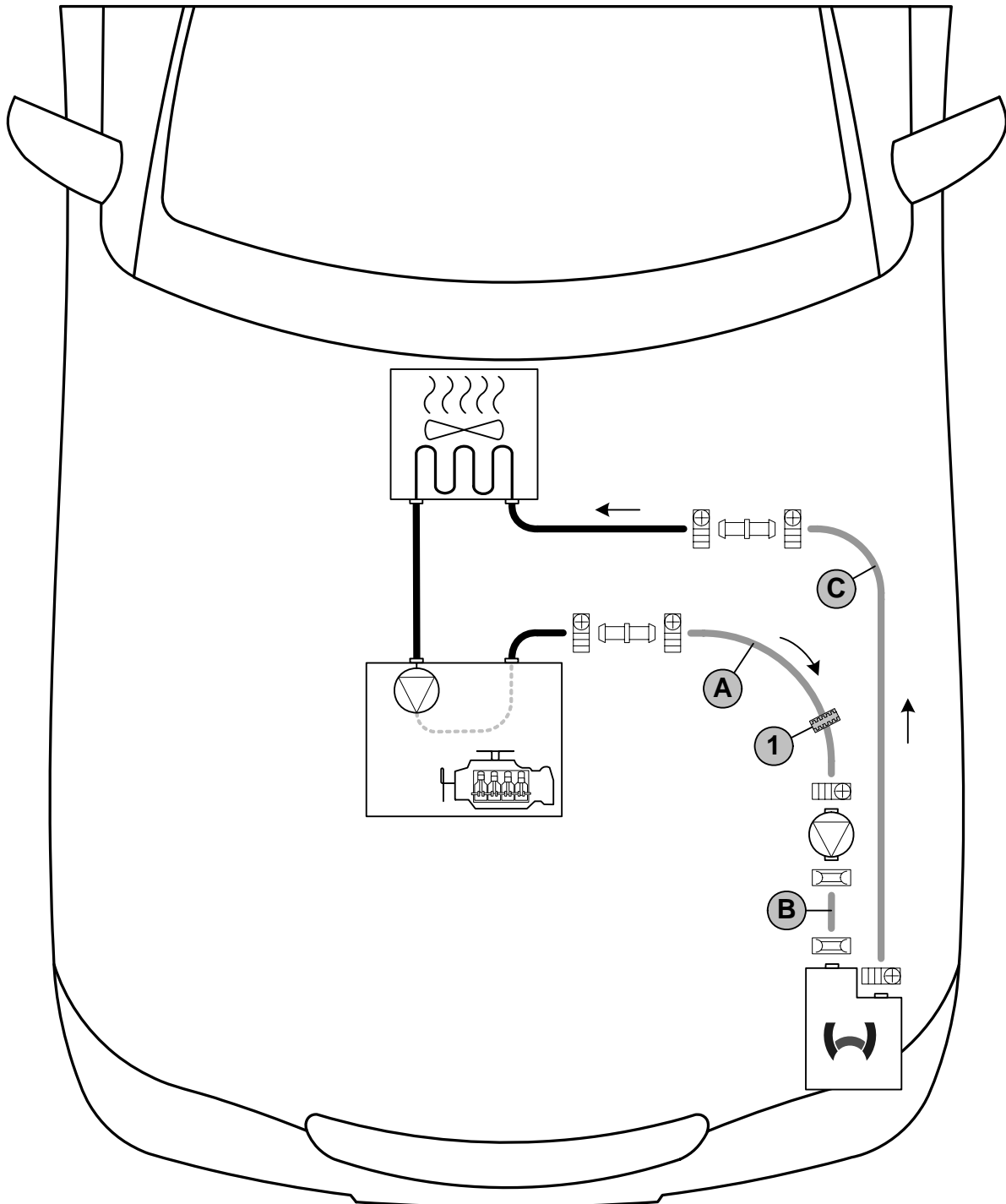
Coolant connection for diesel engine

WARNING!

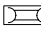
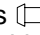

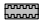
Tighten all hose clamps to 2.0 + 0.5 Nm.

Any coolant running off should be collected using an appropriate container! Install hoses so that they are kink-free. Unless specified otherwise, always fasten using cable ties. Position hose clamps and spring band clamps so that no other hose can be damaged.

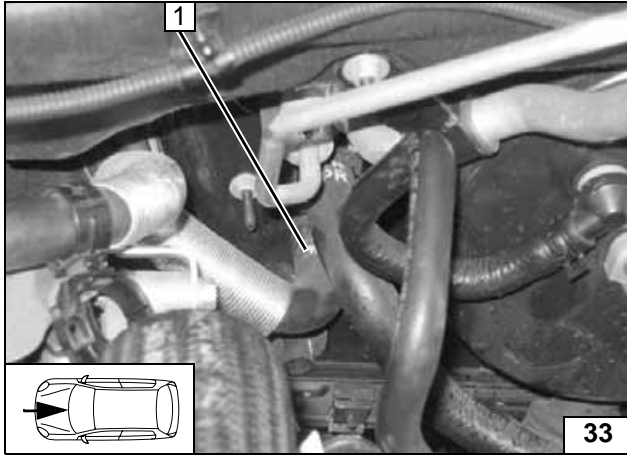
The connection should be "inline" based on the following diagram:



Coolant routing diagram

All spring clips without a specific designation  = 27 mm dia. All connecting pipes  = Ø 18x20. All hose clamps without a specific designation  = 20-27 mm dia 1 = Black (sw) rubber isolator .

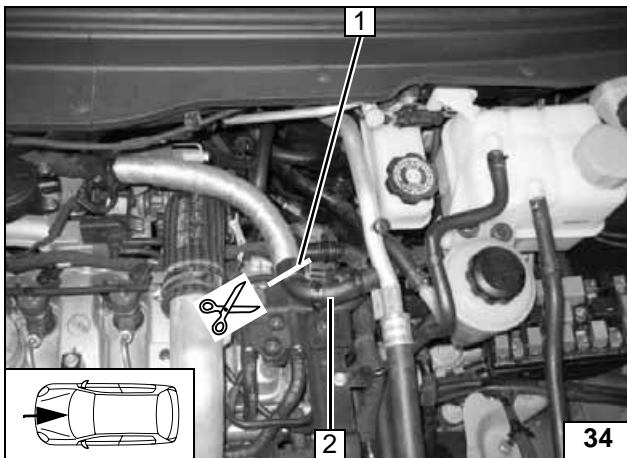




Pull off hose between engine outlet and heat exchanger inlet 1 on heat exchanger.



Cutting point

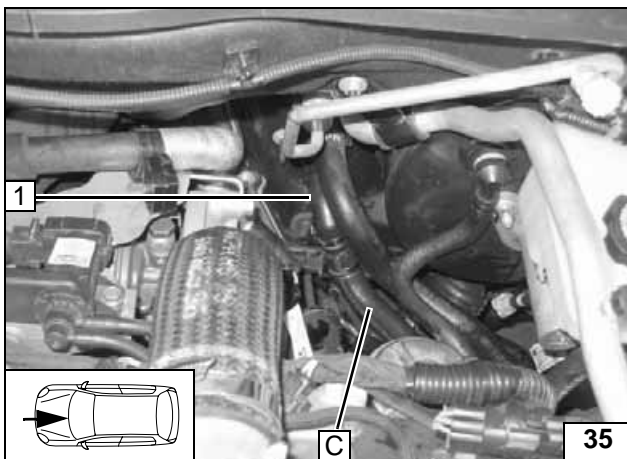


Push back heat guard.

- 1 Cutting point
- 2 Hose section of heat exchanger inlet



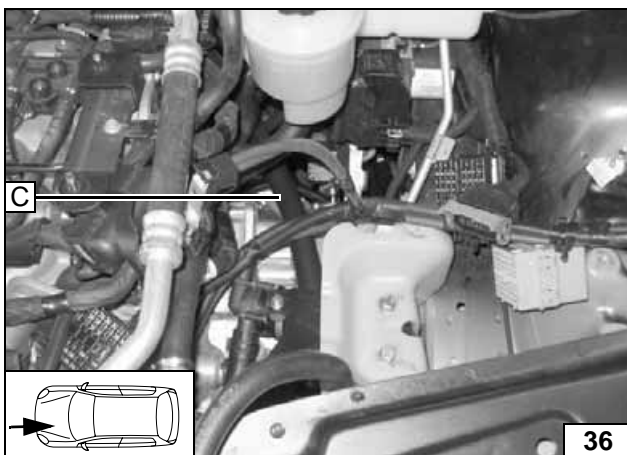
Cutting point



- 1 Hose on heat exchanger inlet



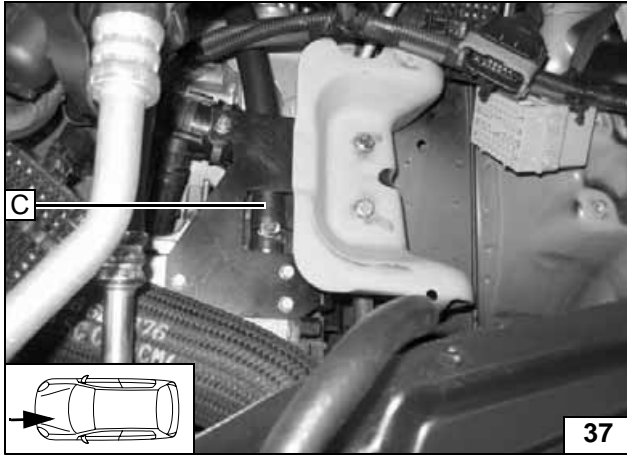
Connection on heat exchanger inlet



When installing the coolant hose, ensure sufficient spacing to the engine and to the vehicle gear shift mechanism.

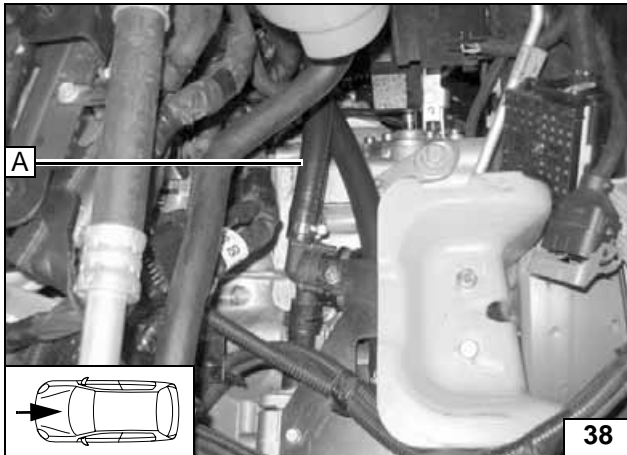


Routing in engine compartment



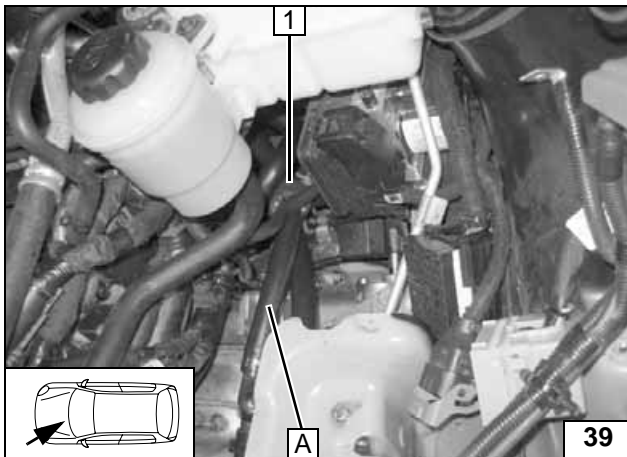
37

Conne-
tion on
heater unit



38

Conne-
tion on
heater unit



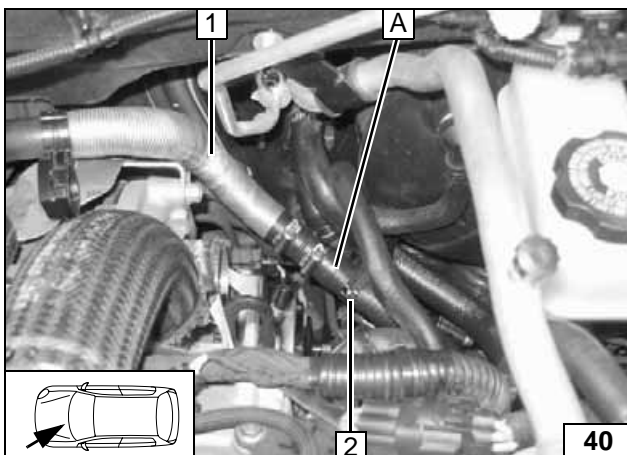
39

When installing the coolant hoses, ensure sufficient spacing to the gear shift mechanism.

1 Position black (sw) rubber profile



Routing in
engine
compart-
ment



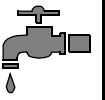
40

Before connecting, fill the coolant hoses with coolant.

1 Hose of engine outlet
2 Spacer bracket



Conne-
tion to en-
gine outlet

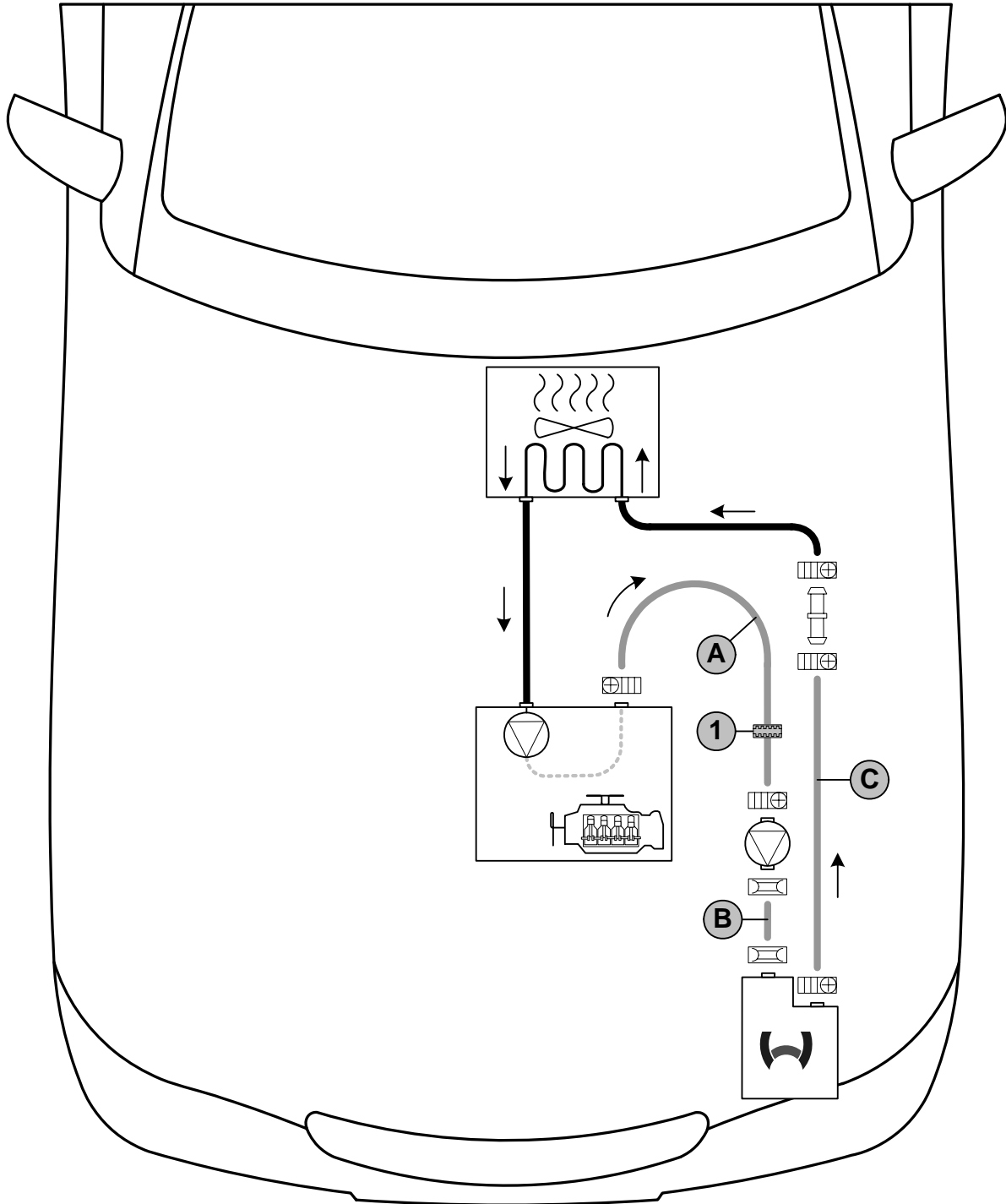


Coolant connection for gasoline

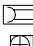
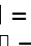

WARNING!

Tighten all hose clamps to 2.0 + 0.5 Nm. Any coolant running off should be collected using an appropriate container! Install hoses so that they are kink-free. Unless specified otherwise, always fasten using cable ties. Position hose clamps and spring band clamps so that no other hose can be damaged. The connection should be "inline" based on the following diagram:

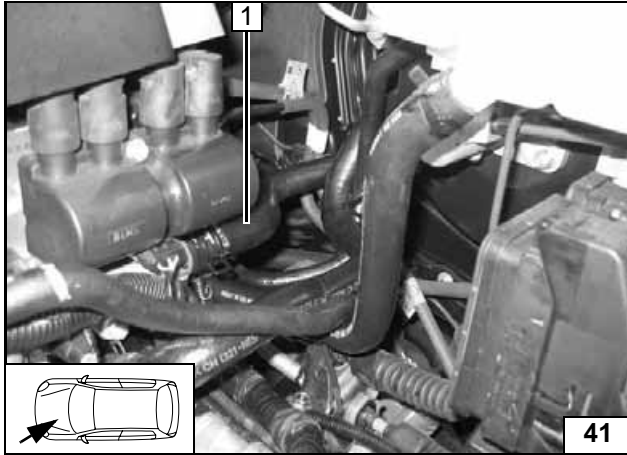
On vehicles with an Autogas drive, the evaporator is integrated in the line to the heat exchanger inlet!



Coolant routing diagram

All spring clips without a specific designation  = 27 mm dia. All connecting pipes = dia. 18x20.
All hose clamps without a specific designation  = 20-27 mm dia 1 = Black (sw) rubber isolator 

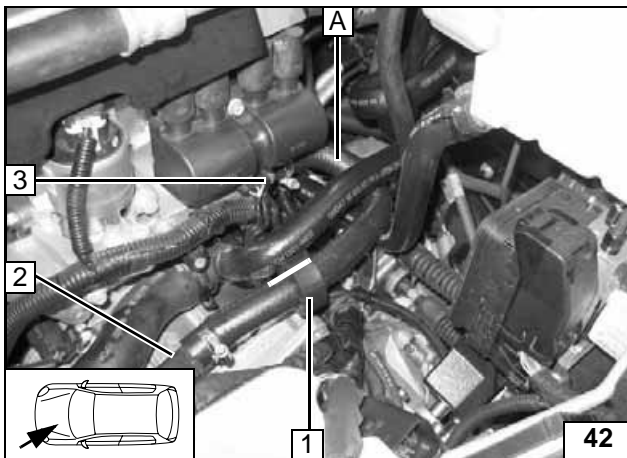




Disconnect original vehicle hose 1 from connection piece of engine outlet.

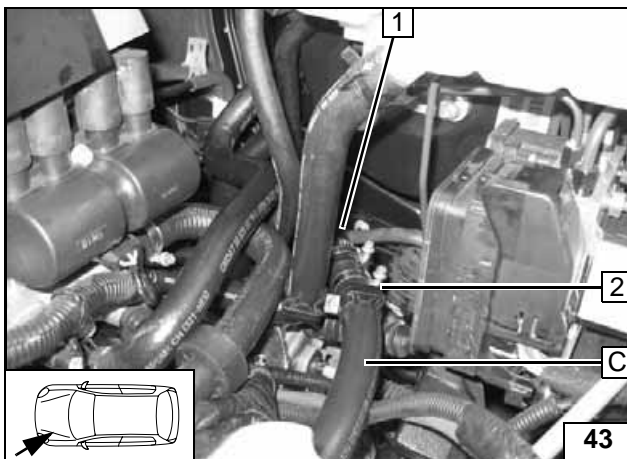


Cutting point



- 1 Black (sw) rubber isolator
- 2 Connection piece of circulating pump
- 3 Connection piece for engine outlet

Connecting hose A

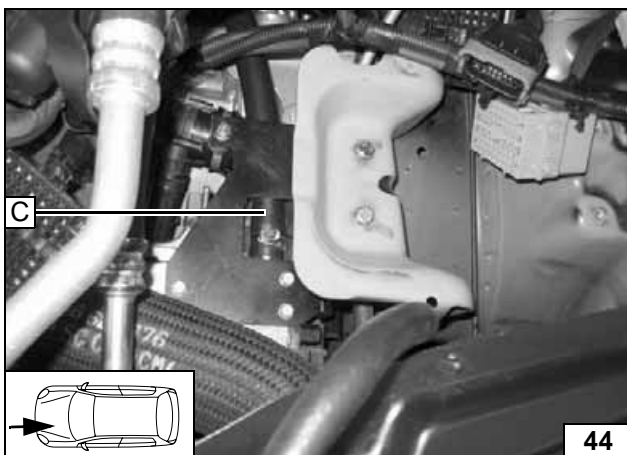


Before connecting, fill the coolant hoses with coolant.



- 1 Hose on heat exchanger inlet
- 2 Spacer bracket

Connection to heat exchanger



When installing the coolant hoses, ensure sufficient spacing to the gear shift mechanism.



Connection to heater unit outlet



Fuel Connection

CAUTION!

Open the vehicle's fuel tank cap, ventilate the tank and then re-close the tank lock.

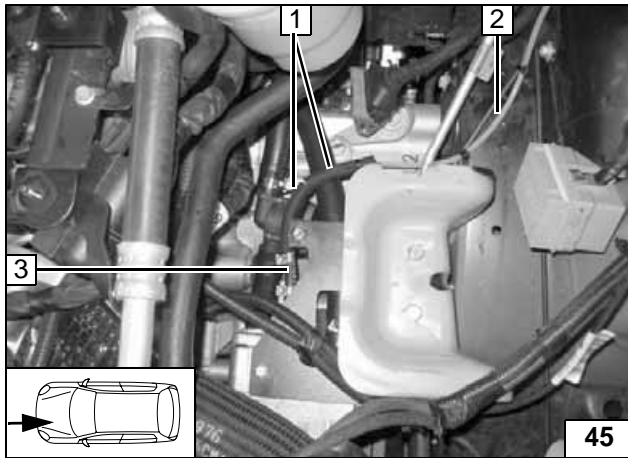
Catch any fuel running off with an appropriate container.

Install fuel line and metering-pump wiring harness so that they are protected against stone impact. Unless specified otherwise, always fasten using cable ties.

Mount the fuel line and wiring harness with rub protection on sharp edges.

WARNING!

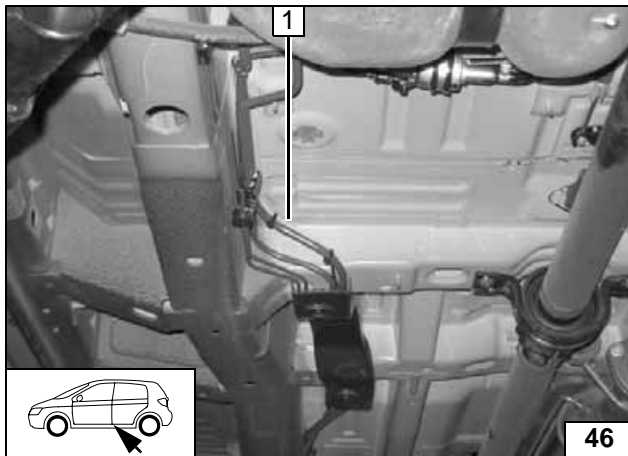
The fuel line and wiring harness are routed to the metering pump in as shown in the wiring harness routing diagram.



- 1 Included hose section as scuff guard [2x]
- 2 Mecanyl fuel line
- 3 Hose section, 10 mm dia. hose clamp [2x]



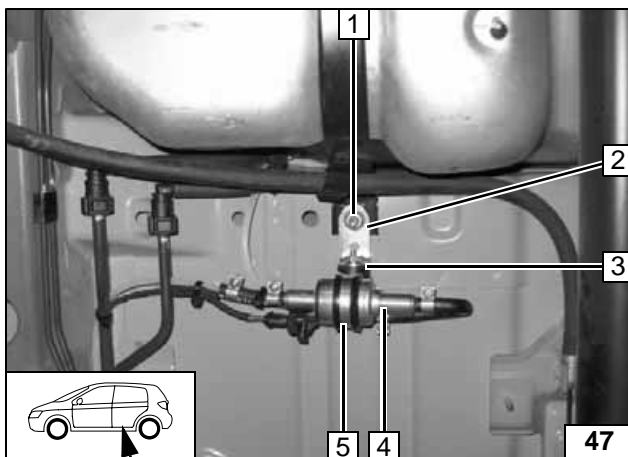
Conne-
tion on
heater unit



Diesel engine only

- 1 Mecanyl fuel pipe and metering pump cable harness

Installing
lines

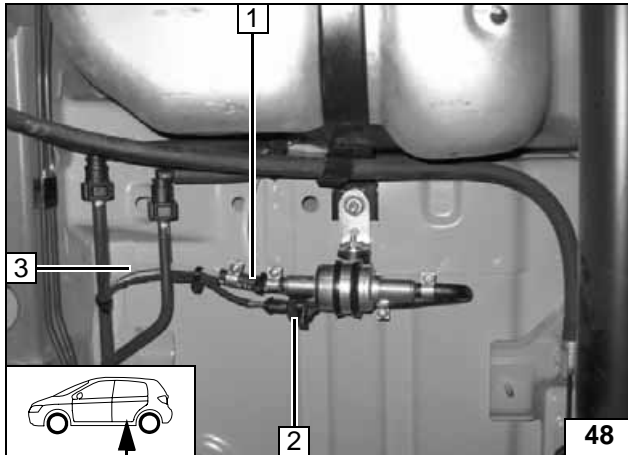


Ensure proper installation position of metering pump 4, see "Installation Instructions". Installation location in front of vehicle fuel tank!

- 1 Original vehicle bolt
- 2 Angle bracket
- 3 Silent block, flanged nut [2x]
- 5 Rubber-coated pipe clamp



Install-
ation
location
of
metering
pump

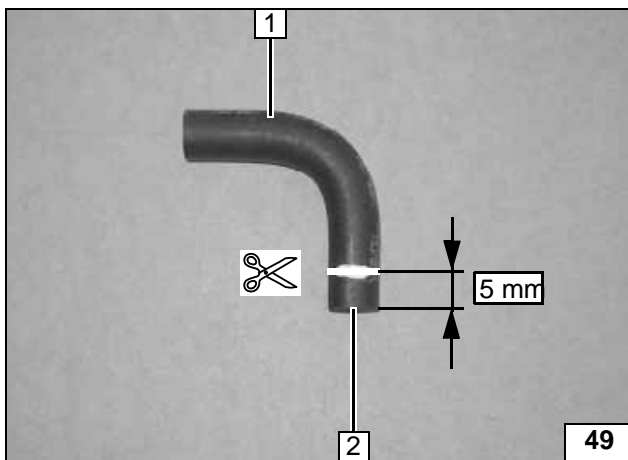


Fuel line **3** from heater unit on pressure side of metering pump [side with connector].

- 1 Hose section, 10 mm dia. hose clamps [2x].
- 2 Wiring harness of metering pump, connector mounted

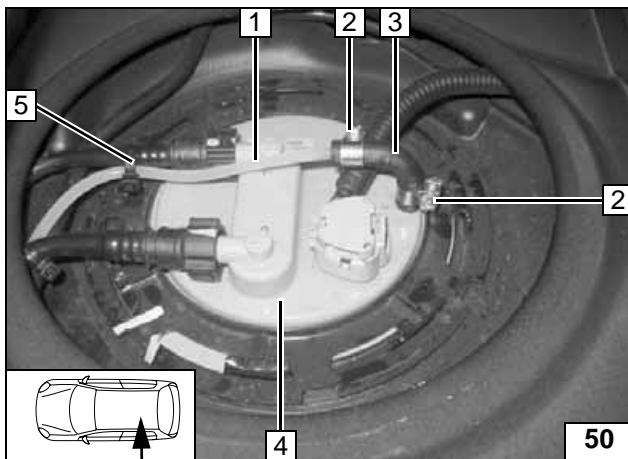


Installing metering pump



- 1 Separate 90° molded hose at marking
- 2 Discard section

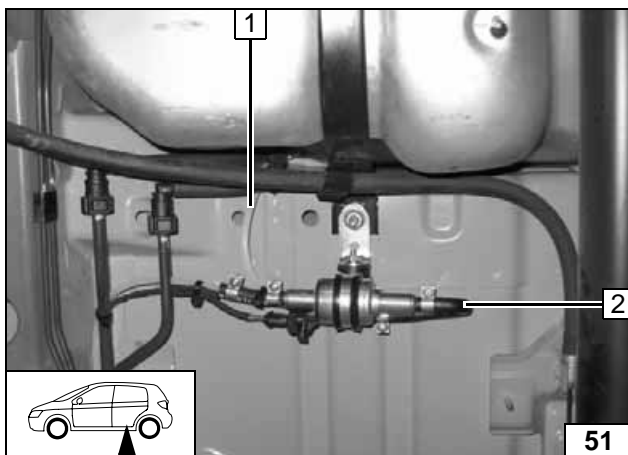
Preparing fuel standpipe



Cut closure off existing removal connection piece and push on short end of 90° molded hose **3**.

- 1 Fuel line
- 2 10 mm dia. hose clamp [2x]
- 4 Fuel sender
- 5 Cable tie

Removing fuel

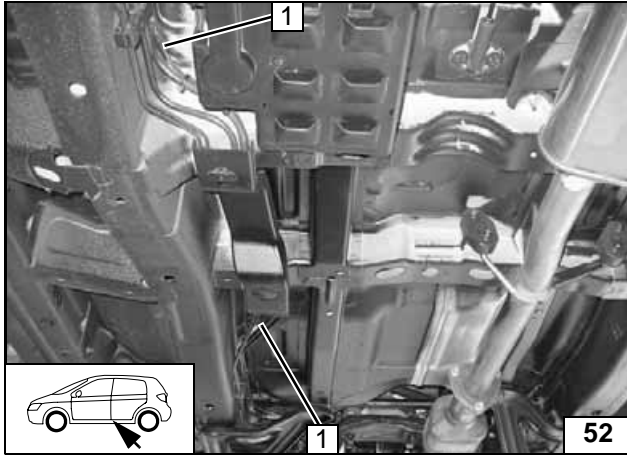


Fuel line **1** from fuel standpipe on intake side of metering pump [side without connector]. Check the position of the components; adjust if necessary. Check that they have free clearance.

- 2 180° molded hose, 10 mm dia. hose clamp [2x]



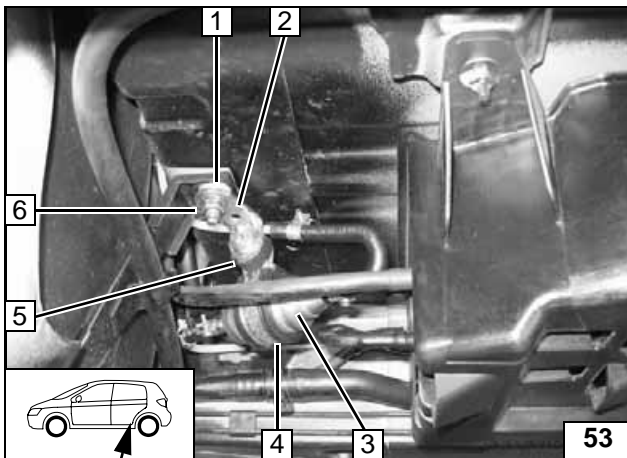
Connection to metering pump



Gasoline engine only

- 1 Mecanyl fuel pipe and metering pump cable harness

Installing lines

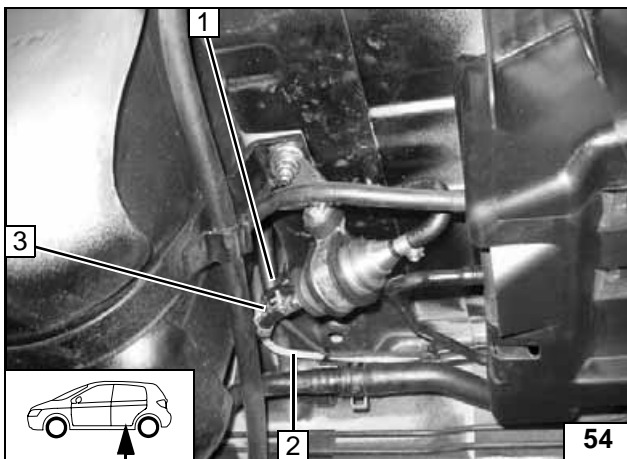


Ensure proper installation position of metering pump **3**, see "Installation Instructions". Installation location in front of vehicle fuel tank!

- 1 5 mm shim
- 2 Angle bracket
- 4 Rubber-coated pipe clamp
- 5 Silent block, flanged nut [2x]
- 6 Original vehicle bolt



Installation location of metering pump

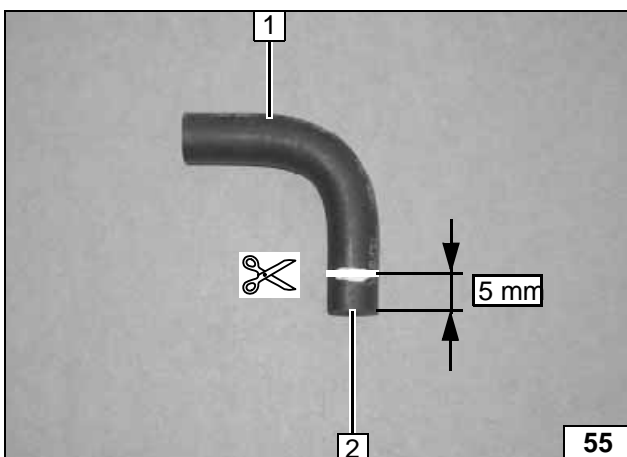


Connect fuel line **2** from heater unit to pressure side of metering pump [side with connector].

- 1 Wiring harness of metering pump, connector mounted
- 3 Hose section, 10 mm dia. hose clamps [2x].

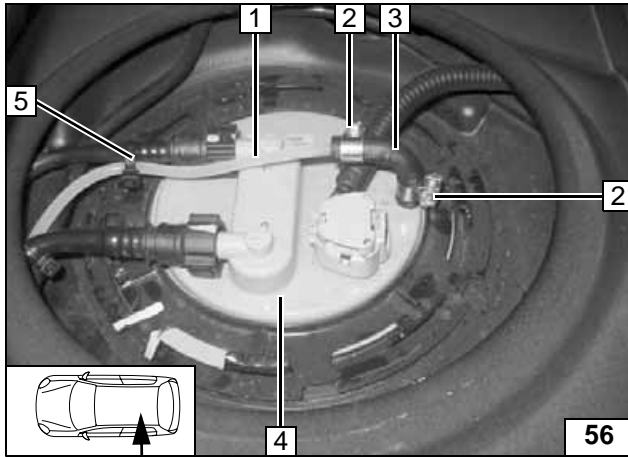


Installing metering pump



- 1 Separate 90° molded hose at marking
- 2 Discard section

Preparing fuel stand-pipe

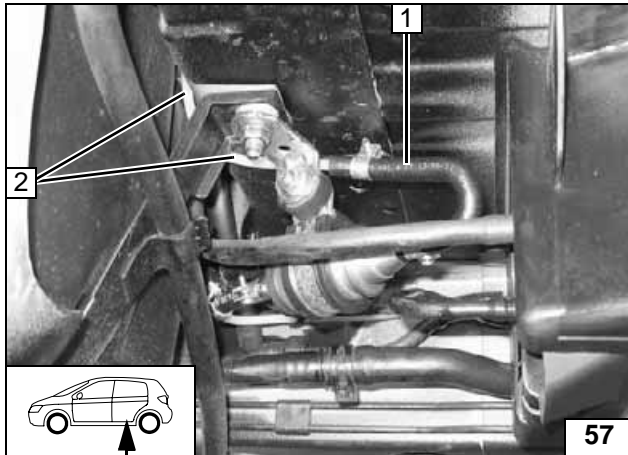


Cut closure off existing removal connection piece and push on short end of 90° molded hose 3.

- 1 Fuel line
- 2 10 mm dia. hose clamp [2x]
- 4 Fuel sender
- 5 Cable tie



Removing fuel

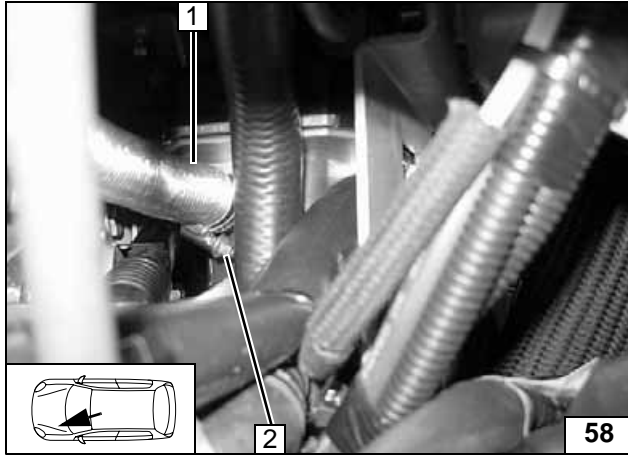
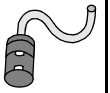


Fuel line 2 from fuel standpipe on intake side of metering pump [side without connector]. Check the position of the components; adjust if necessary. Check that they have free clearance.

- 1 180° molded hose, 10 mm dia. hose clamp [2x]



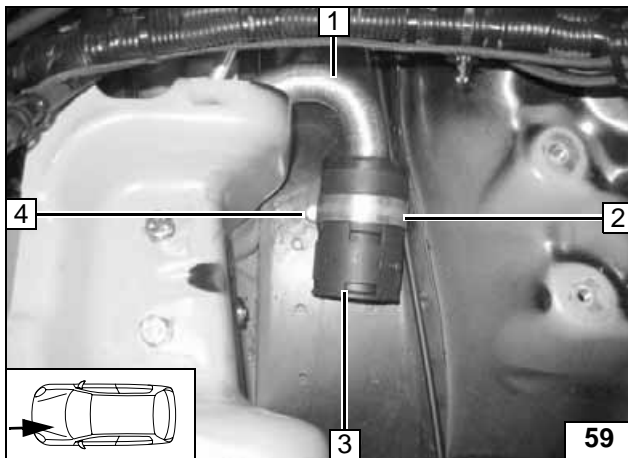
Connection to metering pump



Combustion air

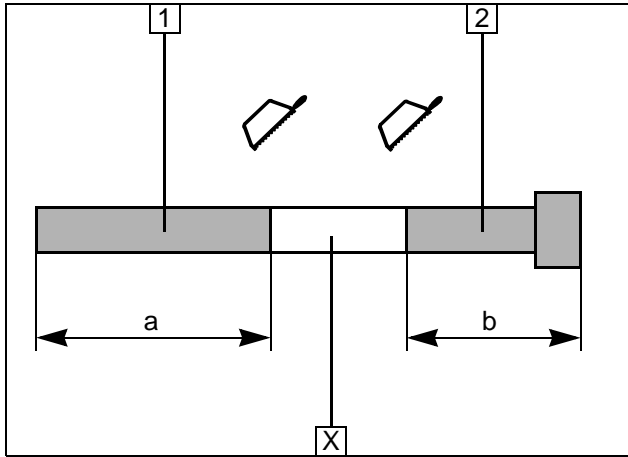
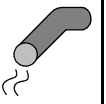
- 1 Combustion air pipe
- 2 Hose clamp

Installing combustion air pipe



- 1 Combustion-air intake pipe
- 2 48 mm dia. p-clamp; rubber coating removed
- 3 Combustion-air intake muffler
- 4 Existing hole, M6 rivet nut, M6x20 bolt, spring lock washer

Installing muffler

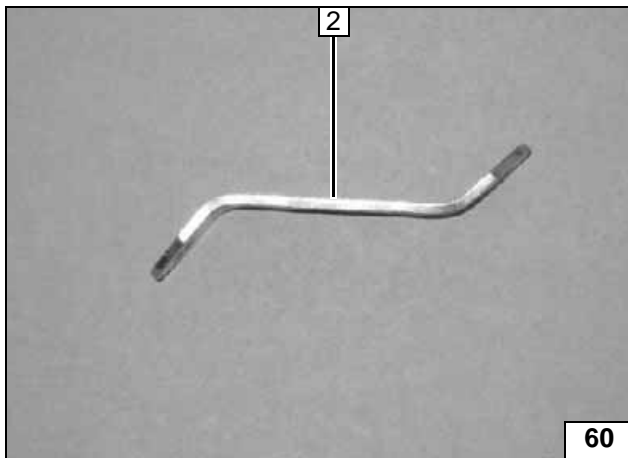


Exhaust system

- 1 Exhaust pipe
a = 330 mm
- 2 Exhaust end section
b = 120 mm

Discard section X

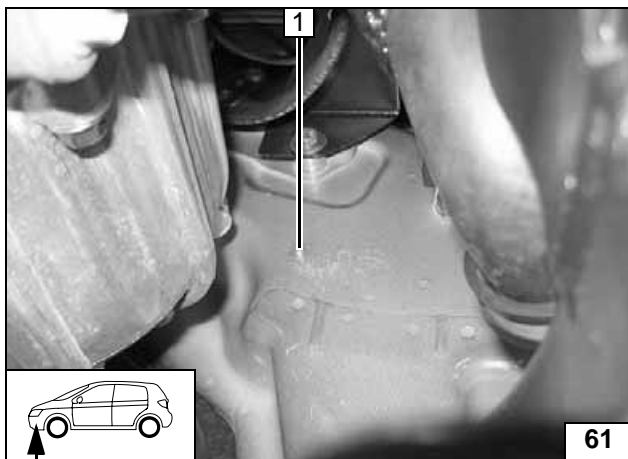
Preparing
exhaust
pipe



Bend perforated bracket provided approx. 45° [2x].

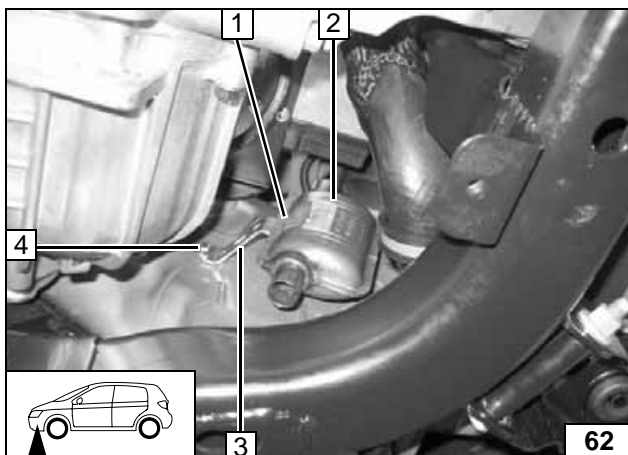


Preparing
perforated
bracket



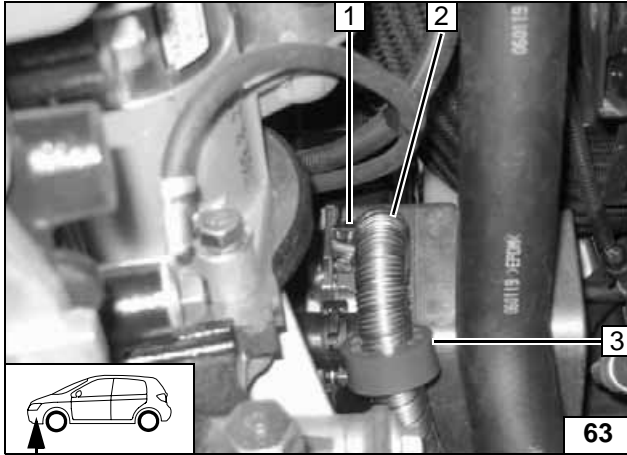
- 1 M6 rivet nut in existing hole

Installing
rivet nut



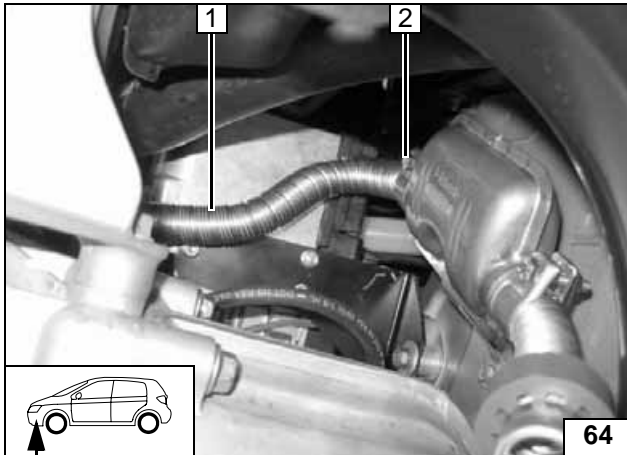
- 1 M6x20 bolt, flanged nut
- 2 Exhaust muffler
- 3 Perforated bracket
- 4 M6x20 bolt, spring lockwasher

Installing
exhaust
muffler



- 1 Hose clamp
- 2 Exhaust pipe
- 3 Push on red (rt) rubber isolator and position

Installing exhaust pipe

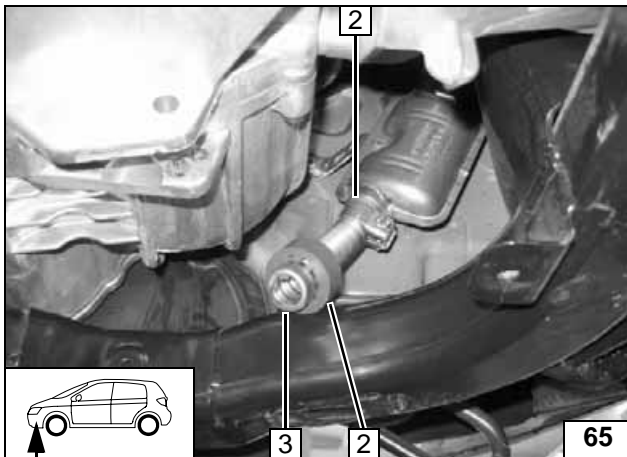


Shape exhaust pipe 1. Ensure sufficient distance to neighboring components.

- 2 Hose clamp

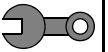


Installing exhaust pipe



- 1 Hose clamp
- 2 Push on red (rt) rubber isolator and position
- 3 Exhaust end section

Installing exhaust end section

**Final Work****WARNING!**

Reassemble the disassembled components in reverse order.

Check all hoses, hose, spring and Caillau clamps, as well as all electrical connections for firm seating. Secure all loose cables using cable ties.

Only use manufacturer-approved coolant.

Spray the heater unit components with anti-corrosion wax (Tectyl 100K, Order No. 111329).



1 M8x30 bolt, spring lockwasher, flanged nut [2x each]



**Installing
battery carrier**

- Connect the battery
- Bleed and fill the coolant circuit according to the vehicle manufacturer's specifications.
- Set the digital timer.
- Set the manual air conditioning or automatic air conditioning according to the "operating instructions for the end customer".
- Check the proper operation of the additional heater, see the operating instructions/installation instructions.
- Attach the "Switch off additional heater before refueling" sticker to the left-hand B-pillar.



Webasto

Feel the drive

Webasto AG
Postfach 80 - 82132 Stockdorf, Germany - Hotline +49-
(0)1805-932278
Hotfax +49-(0)395-5592-353 - <http://www.webasto.de>

Operating Instructions for End Customer



Please remove page and add to the vehicle operating instructions.

Note:

We recommend matching the heating time to the driving time.

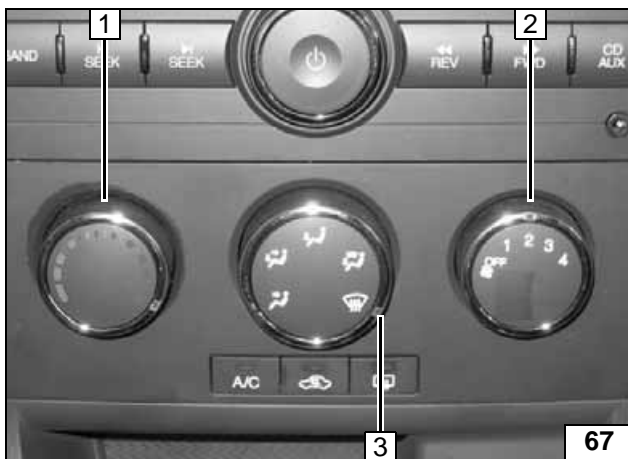
Heating time = driving time

Example:

For a driving time of approx. 20 min. (in one direction), we recommend not exceeding a switch-on time of 20 min.

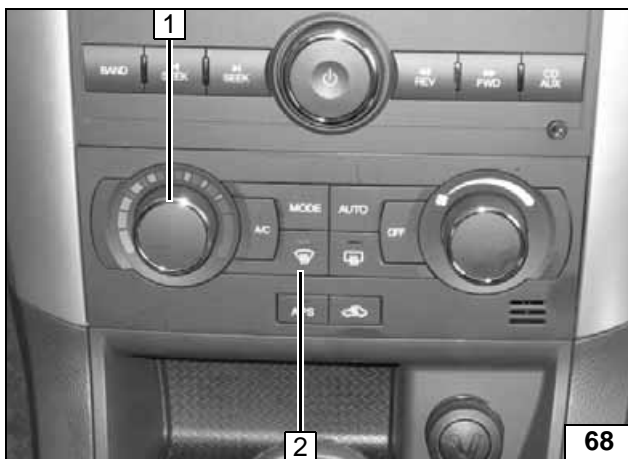
If the summer/winter switch option has been installed, this must be switched in accordance with the time of year. The heater unit will then only switch on the vehicle fan to ventilate the vehicle interior in the position Winter heat and in the position Summer .

Before parking the vehicle, make the following settings:



- 1 Set temperature to "max."
- 2 Set fan to level "1", or possibly "2"
- 3 Direct air outlet toward windshield

Manual air conditioning



- 1 Set temperature to "max."
- 2 Air outlet to windshield

Automatic air-conditioning