



Installation Instructions

Volvo L60G / L180G



Installation with Engine Off Function

Webasto Thermo & Comfort N.A., Inc.
150834 North Road
Fenton, MI 48430

Contents:

1. Required parts/supplies
2. Preliminary work
3. Heater Installation
4. Attaching automotive electronics
5. Attaching cooling water circulation
6. Fuel supply
7. Exhaust installation
8. Air intake installation
9. Final work

Required Parts / Supplies

Webasto Parts

- **9023076A** LU TP90 D 24V Basic 2 (U4840) x1
- **9024621A** TP90 24V Standard installation kit x1
- **9028724A** Swecon wheel loader Engine-off installation kit x1

Optional:

- 7100350B Thermo Call TC3 kit only in conjunction with ventilation kit x1
- 9028667A Ventilation kit 24V for TC3 x1

Swecon Parts

- Heater Bracket with screws x1
- Metal splash guard with screws x1
- Rubber splash guard x1
- T piece for withdrawing fuel x1
- Pressure fitting for withdrawing fuel x1



Pre-Installation

Heater

Bracket

Exhaust Silencer



Fuse Box Access

Preliminary Work



Open the cover behind the cabin
(This will be for installation of thermal circuit breaker)

Thoroughly clean before proceeding



Fuel extraction location



Access the heat exchanger (KWT on diagram) and piping

Heater Installation



Heater installation location

Heater Installation



If necessary, rebuild the existing choc from the right hand tread in the same position in the left hand tread.





Mount the previously assembled Heater bracket and exhaust silencer between four screws on the steps (right of the vehicle, under the battery case) using available drill holes.





Power supply terminal 30 for heater before battery isolator (to stop idling cutoff from deactivating battery isolator and ensure primary function of heating)

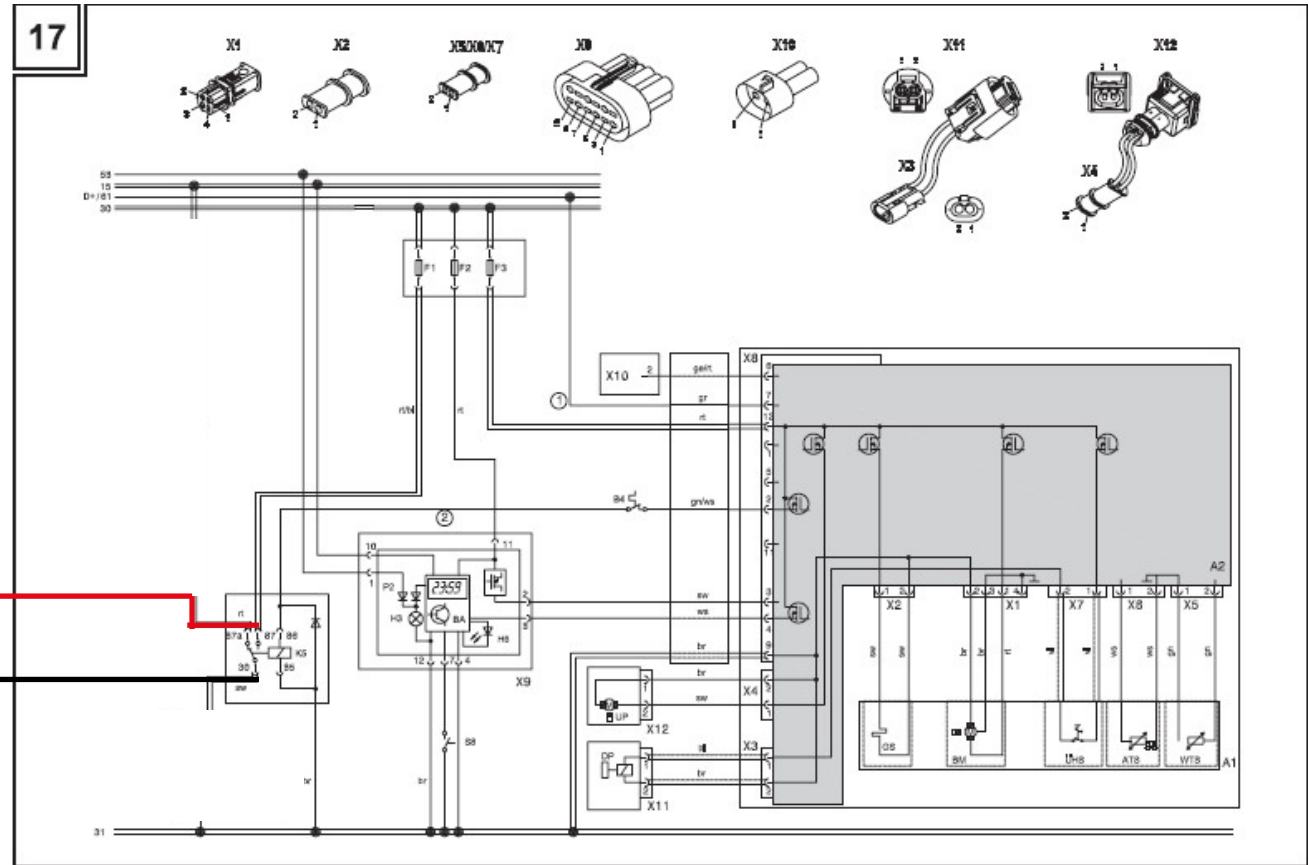
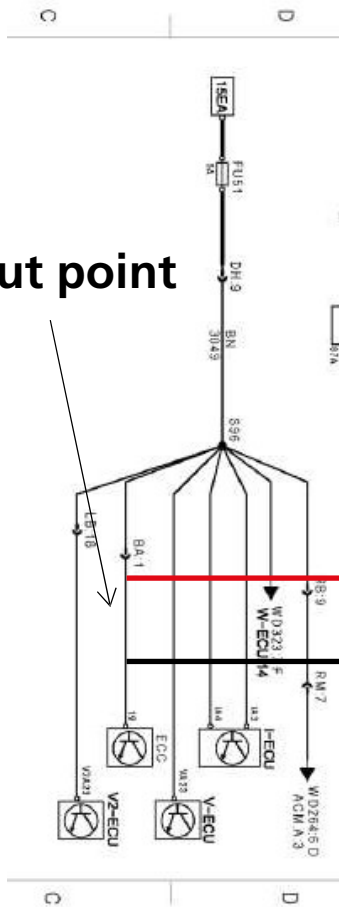
The installation instructions apply generally to the electrical installation. For variant installation of Engine Off circuitry, see the thermal circuit breaker diagram.

Connection to Compressor Trigger

Volvo

Webasto

Cut point



See installation instructions diagram 17

Connection / Thermal Circuit Breaker

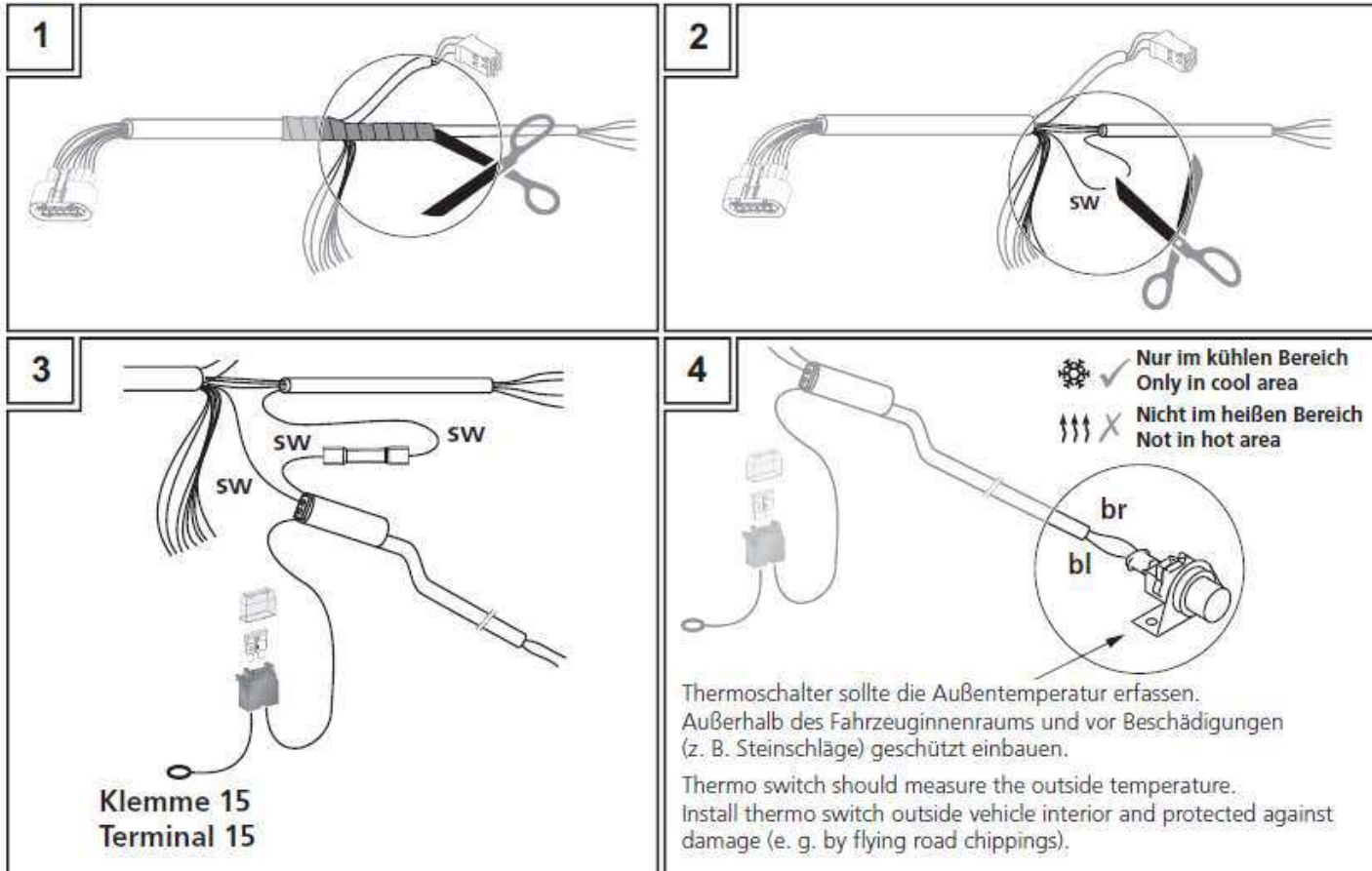


Thermal circuit breaker to determine ambient temperature (the Engine Off function will stop in temperatures over 64.4°F).



Access to fuse box (nozzle)

Einbauanweisung "Engine Off" / Installation Instruction "Engine Off"

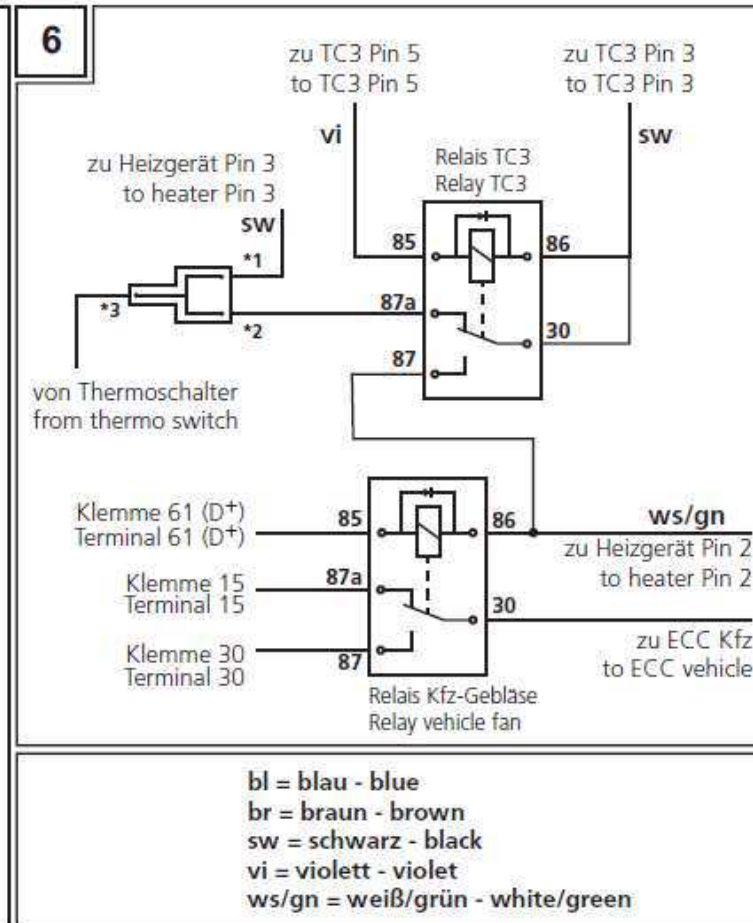
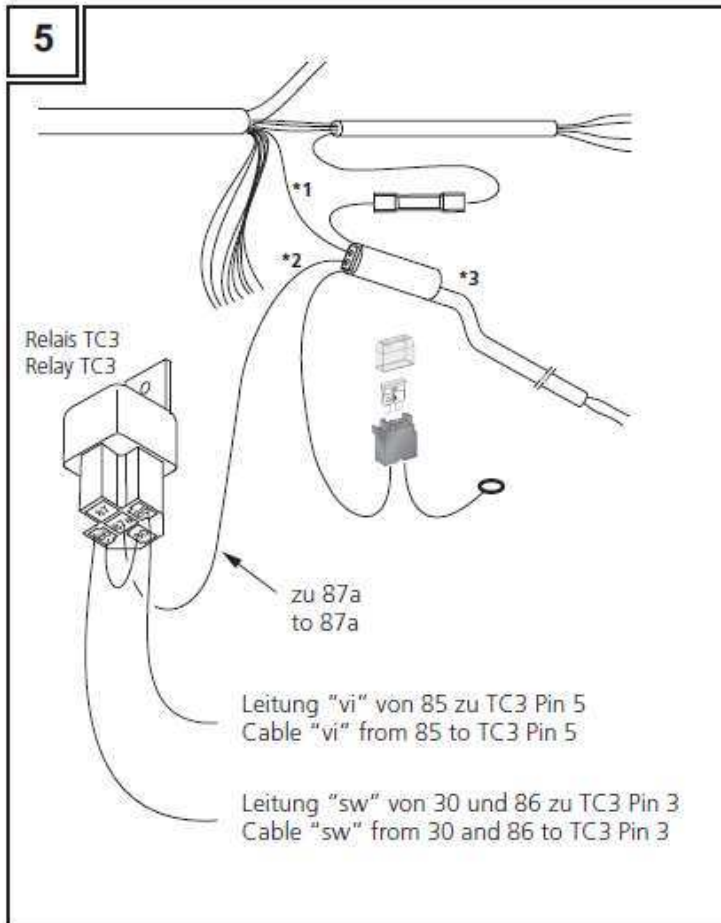




Pre-selection clock 1531 on B-pillar near roof (over fuse box)

TC3 button (optional)

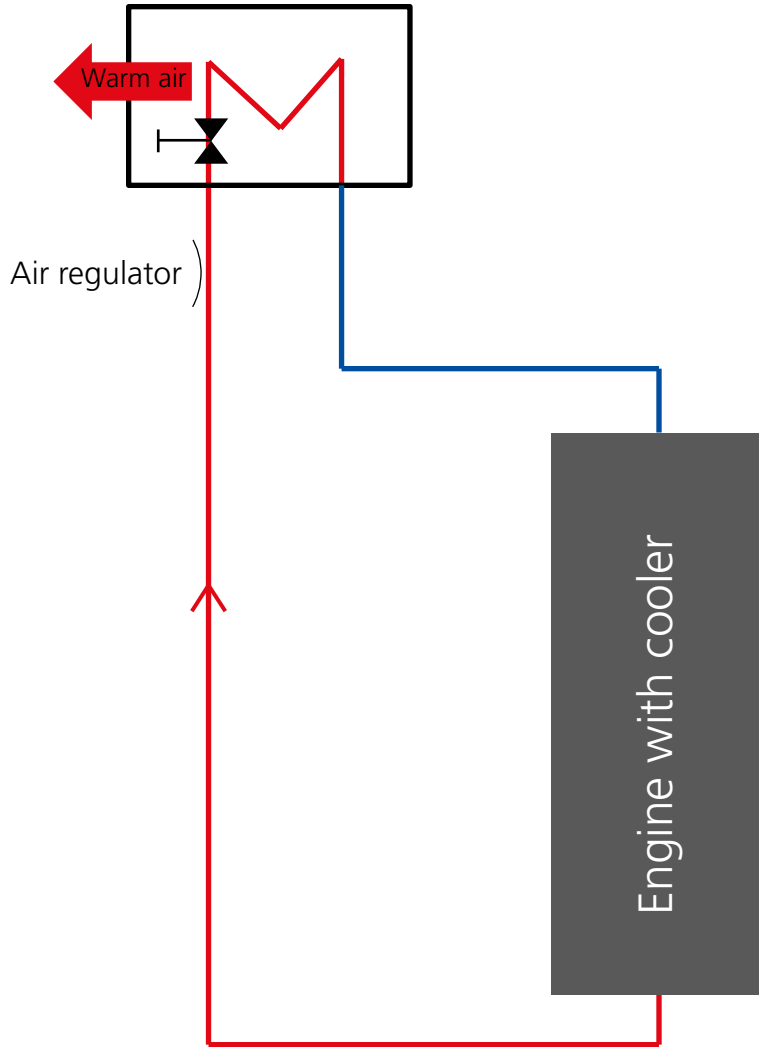
nur mit Thermo Call TC3 / only with Thermo Call TC3:



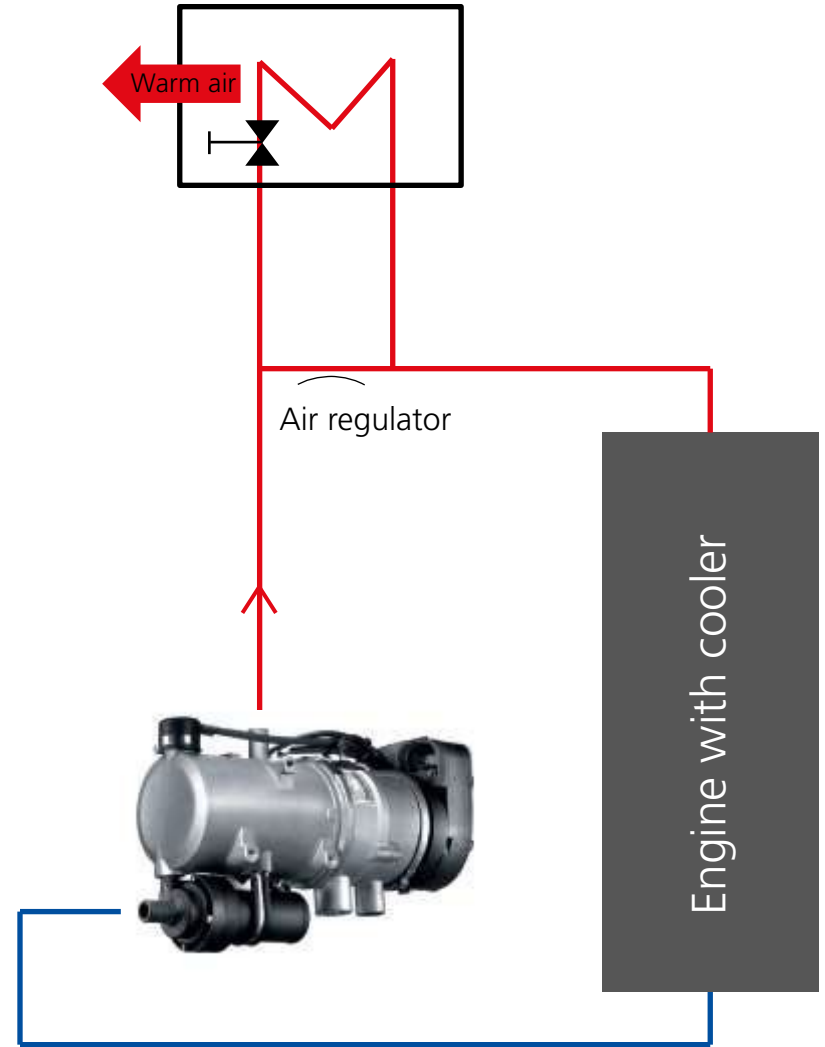
Ident-Nr.: 9028660A • 05/13 • Errors and omissions excepted • Printed in Germany • © Webasto Thermo & Comfort SE, 2013

Coolant Circulation

Without heater/original circulation

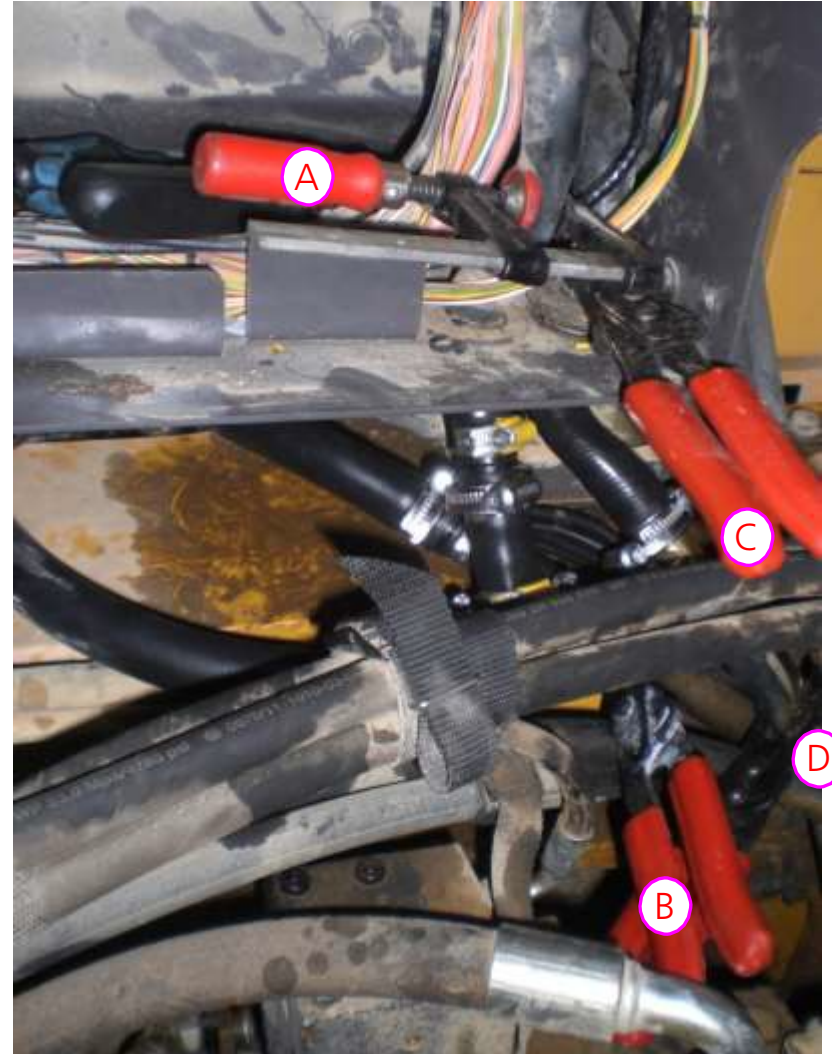
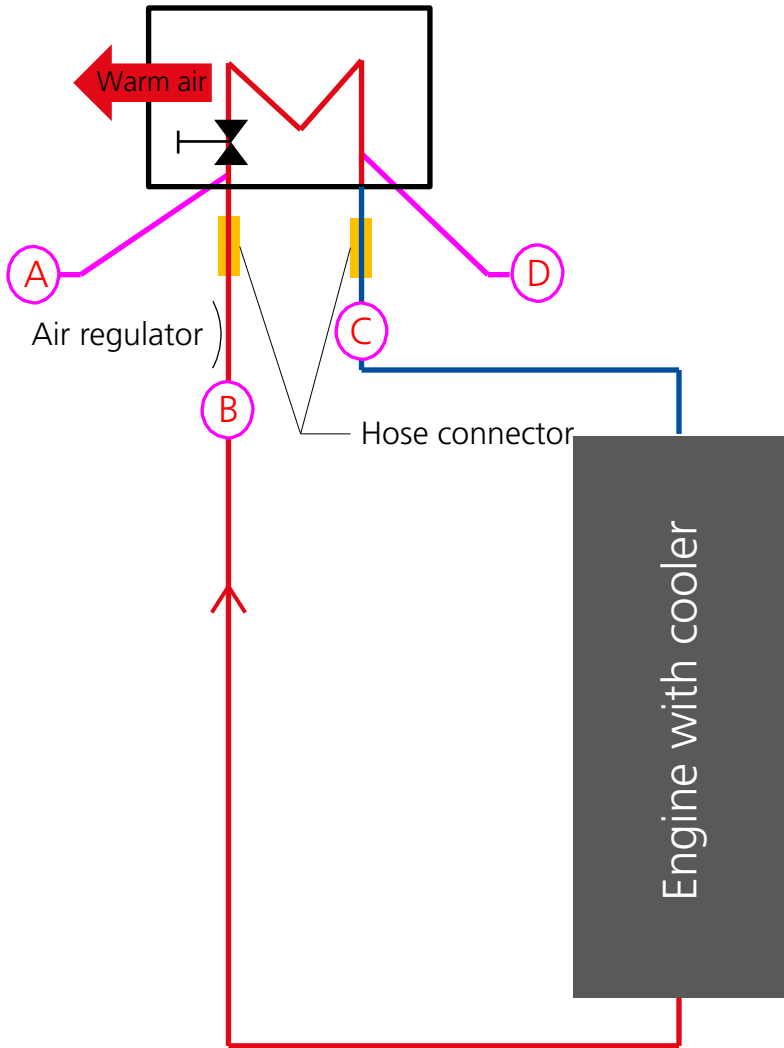


With heater/modified circulation



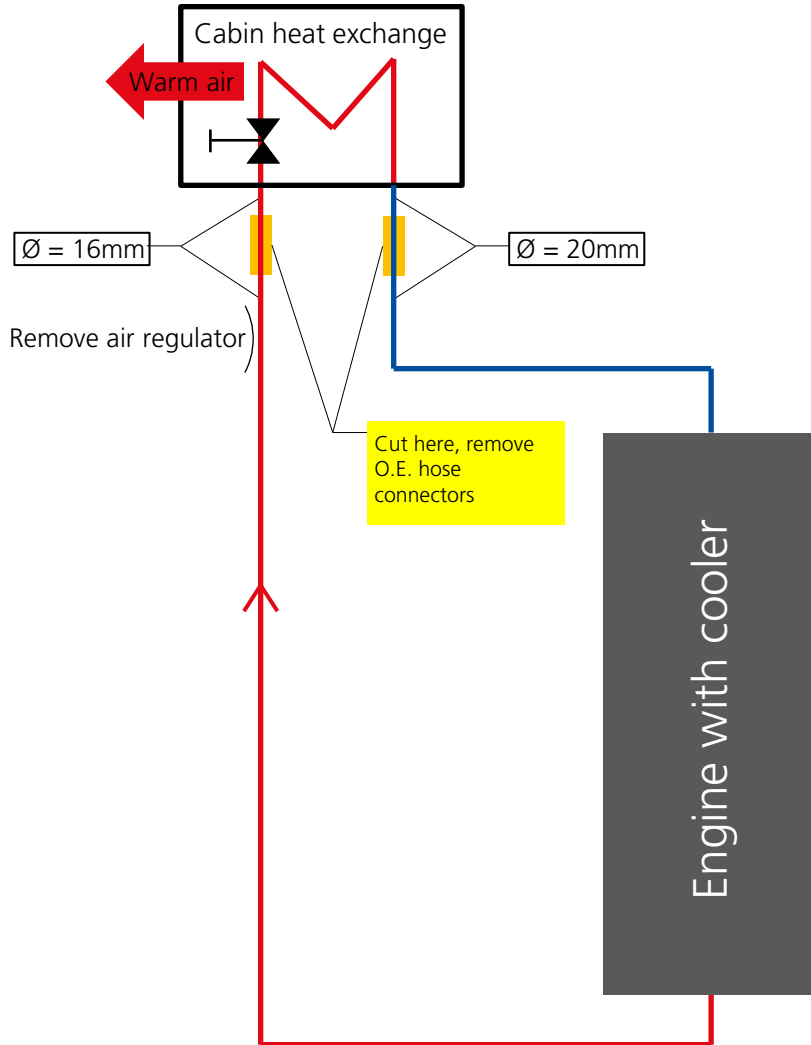
Coolant Circulation

Cabin heat exchange

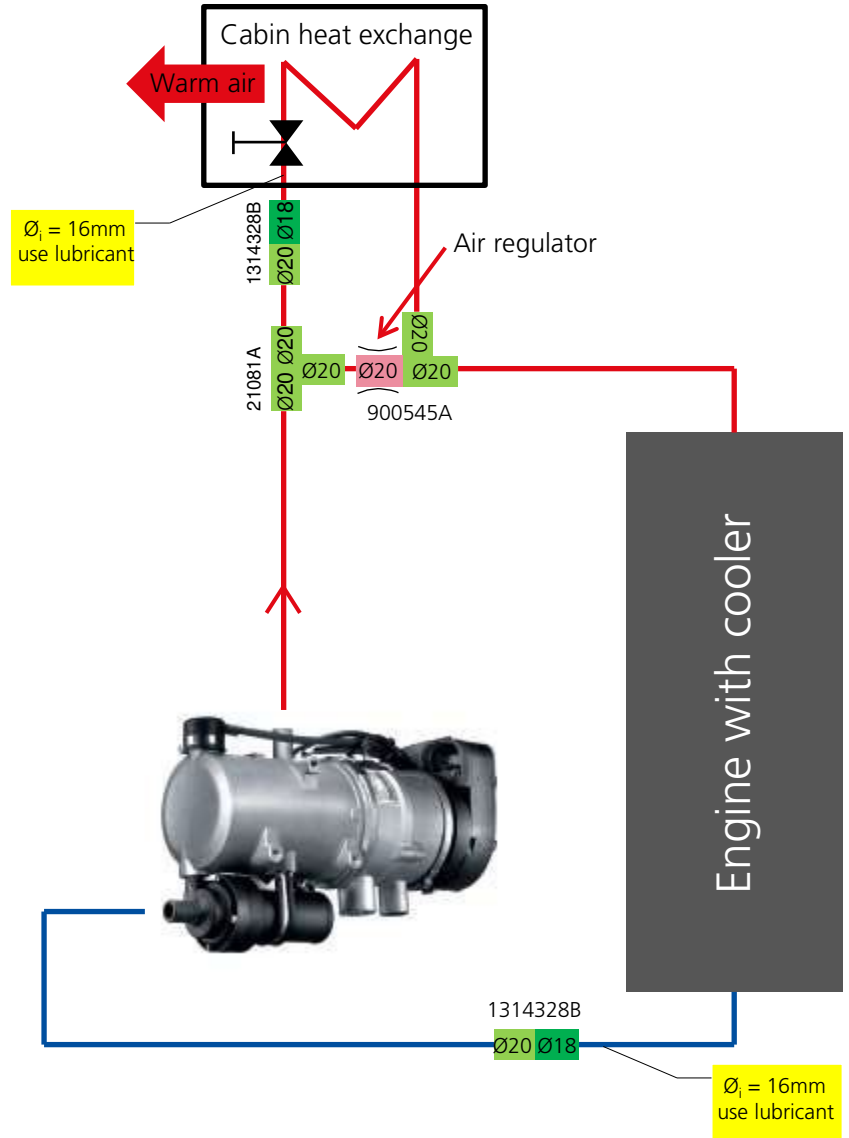


Coolant Circulation

Without heater/original circulation



With heater/modified circulation



Coolant Circulation / Required Parts



9027400 - Spring band clamp D29 - (X8)



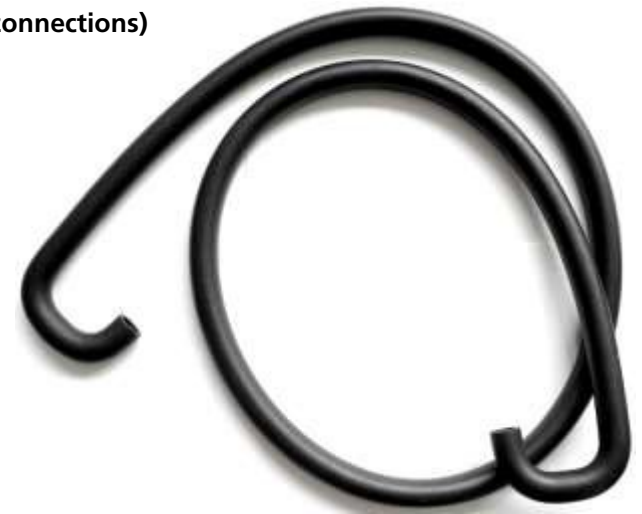
131432B - Connecting pipe 20x18 - (X2) (for all 20mm connections)



21081A - T piece D20 - (X1)



900545A - T piece D20 with regulator - (X1)



33894A - Hose D20 for truck - (X2)

Coolant Circulation



33894A – Hose D20 - Shorten

Attach hoses with clamps



33894A – Hose D20 - Shorten





The picture shows the original cooling water circulation with disconnection point (from outer right hand side of vehicle)



Relocation of cooling water circulation to connecting face at cabin warmth exchange

Warning:

Cover pipe with adequate protective cover!





Remove air regulator (needle nosed pliers)



Example of modified cooling water circulation



T piece screw connector fitting

Pressure fitting

Place behind extractor tank in flow pipe
Transfer following pipe with fuel filter as per
installation instructions to dosing pump (not
shown)

From dosing pump transfer fuel pipe together
with dosing pump cable under the vehicle to
heater and fix with cable ties. **If necessary,**
protect against chafing and avoid hot parts
(pipe temperature <104°F)





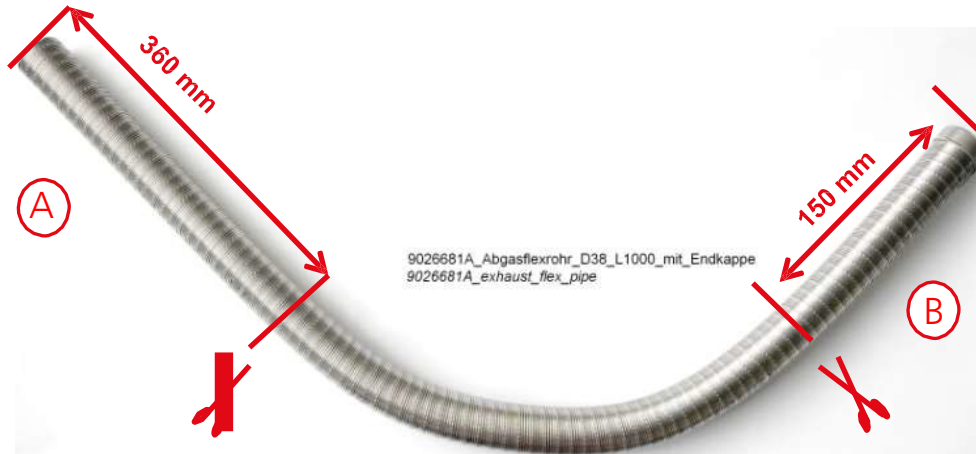
From dosing pump transfer fuel pipe together with dosing pump cable under the vehicle to heater and fix with cable ties. **If necessary, protect against chafing and avoid hot parts (pipe temperature <math><104^{\circ}\text{F}</math>)**



Connect **fuel pipe** to heater as per installation instructions.

Allow for **tension relief** through cable ties

Exhaust Installation

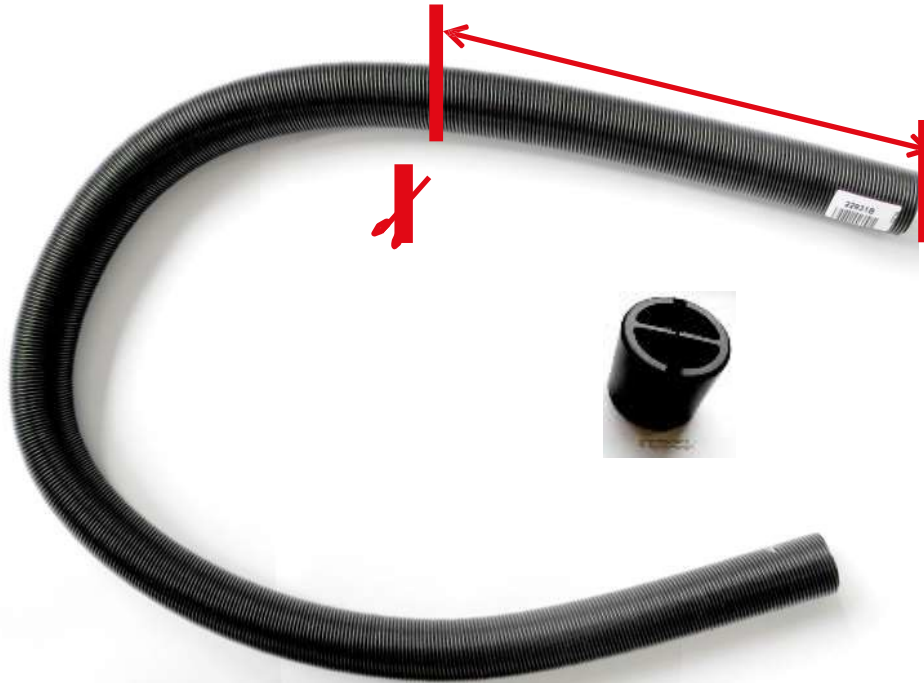


Cut 9026681A flexible exhaust pipe D38 to length and connect to heater and exhaust silence.

Bend exhaust pipe around 30° backwards and 90° downwards from direction of travel.



Air Intake Installation



Attach 22931B intake silencer D30 to heater as per the illustrations. Place and attach, bend and cut to length as shown, and open end cap.

Air Intake Installation



Attach **Resized intake silencer** to heater and arrange as shown

Attach with cable ties

Pipe end attached with clamp





- Mount splashguards
- Mount tank instruction label on tank filler pipe
- Leave operating manual and documents in vehicle.



Note: Heater operation is covered in operation instructions.



Please visit **www.techwebasto.com** for technical documentation and information or contact our technical team if you have any questions or concerns.

Phone: (800) 860-7866

E-mail: info-us@webasto.com